



# DIRECTIONAL LEDS

**SAE  
CLASS  
I**


  
A, B & R  
only

**R10**

**R65**
  
A, B & R  
only

**IP67**

**RoHS**

excluding split-color

## ED3701 Series

### Single- or Split-Color Surface Mount

ED3701 directional LEDs are bright and versatile warning lights that are suited to a wide variety of applications. Their ultra-low profile makes them easy to install virtually anywhere on a vehicle. Models offer wide-angle optics and multiple flash patterns, including synchronization with other units for simultaneous or alternating operation. ED3701 models feature 6 LEDs and are available in either single-color or split-color configurations (3 LEDs of each color).

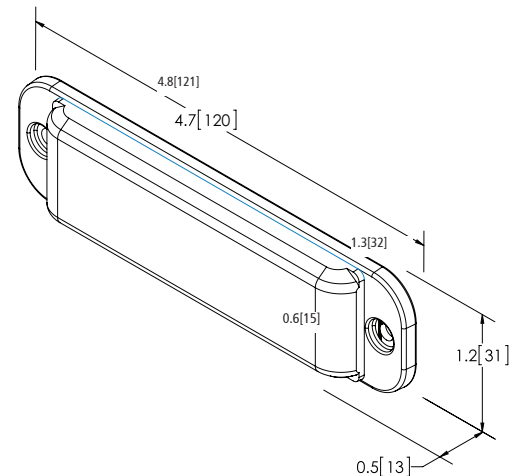
#### Models

PART NO.	TYPE	ILLUMINATION COLOR OPTIONS
ED3701X	Single	<span style="color: orange;">■</span> A <span style="color: blue;">■</span> B <span style="color: white;">■</span> C <span style="color: green;">■</span> G <span style="color: red;">■</span> R
ED3701XX	Split	<span style="color: blue;">■</span> AB <span style="color: white;">■</span> AC <span style="color: green;">■</span> AG <span style="color: red;">■</span> AR <span style="color: blue;">■</span> BC <span style="color: red;">■</span> RB <span style="color: white;">■</span> RC

Replace "X" in part number with desired color: A=amber, B=blue, C=clear, G=green, R=red

#### Design Features

- 12-24 VDC, 0.8 Amps
- High-intensity LEDs provide exceptional warning
- 29 flash patterns
- Ultra low-profile surface mount
- Synchronizable
- Die-cast base with polycarbonate lens
- Temperature Range: -22°F to +122°F (-30°C to +50°C)



#### Accessories

- Black Bezel (3702-BKBZ)
- Chrome Bezel (3702-CHBZ)

