



## DIRECTIONAL LEDS



### ED3701 Series

#### SAE Class I Solid- or Split-Color Surface Mount

ED3701 directional LEDs are bright and versatile warning lights that are suited to a wide variety of applications. Their ultra-low profile makes them easy to install virtually anywhere on a vehicle. Models offer wide-angle optics and multiple flash patterns, including synchronization with other units for simultaneous or alternating operation. ED3701 models feature 6 LEDs and are available in either single-color or split-color configurations (3 LEDs of each color).

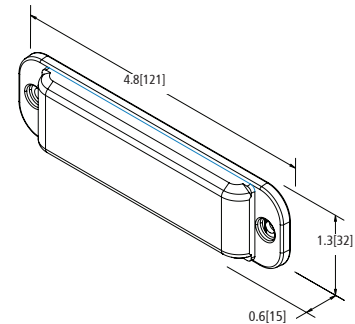
#### Models

PART NO.	TYPE	COLORS	AMPS
ED3701X	Single		0.74
ED3701XX	Split		0.64

Replace "X" in part number with desired color: A=amber, B=blue, C=clear, G=green, R=red

#### Features and Benefits

- 12-24 VDC
- High-intensity LEDs provide exceptional warning
- 13 flash patterns
- Ultra low-profile surface mount
- Synchronizable
- Die cast base with polycarbonate lens
- Temperature Range: -22°F to +122°F (-30°C to +50°C)



#### Accessories

- Black Bezel (3702-BKBZ)
- Chrome Bezel (3702-CHBZ)



#### Flash Patterns (13)

- Single
- Fast Single
- Double
- Fast Double
- Quad (default)
- Fast Quad
- Triple
- Quint
- Steady - Single
- Steady Burn
- Modulation
- 2 Double, 2 Triple, Alt
- 4 Single, 2 Quad, Alt