



BEACONS



6465 SERIES Industrial Application

ECCO's maintenance free 6465 Series LED Beacon features a Pulse8 flash pattern, producing a warning signal that is ideal for industrial-type applications. The long, maintenance-free service life of LED technology make this a perfect replacement solution for existing strobe beacons. This cost-effective light features a wide 12-80V operating range that also makes it ideal for use on electrically-powered vehicles and equipment.

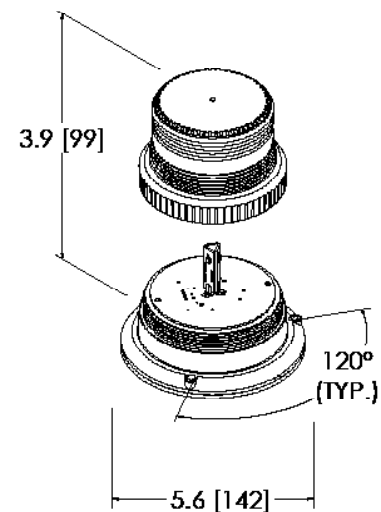
Models

PART NO.	MOUNT	LENS COLOR OPTIONS	LED COLOR
6465X	3 Bolt	<input type="checkbox"/> A <input type="checkbox"/> B <input type="checkbox"/> C <input type="checkbox"/> R <input type="checkbox"/> G	<input type="checkbox"/> C
6465X-MG	Magnet	<input type="checkbox"/> A <input type="checkbox"/> B <input type="checkbox"/> C <input type="checkbox"/> R <input type="checkbox"/> G	<input type="checkbox"/> C

Replace "X" in part number with desired color: A=amber, B=blue, C=clear, G=green, R=red

Design Features

- 12-80 VDC, 0.1 Amps, 80 FPMx8
- Pulse8 (8 flash per cycle) flash pattern
- Reinforced-nylon base and polycarbonate lens
- Rechargeable battery powered model available in all colors
- Temperature Range: -22°F to +122°F (-30°C to +50°C)



Parts & Accessories

- Lenses:
 - Amber - R6400LA
 - Blue - R6400LB
 - Clear - R6400LC
 - Green - R6400LG
 - Red - R6400LR