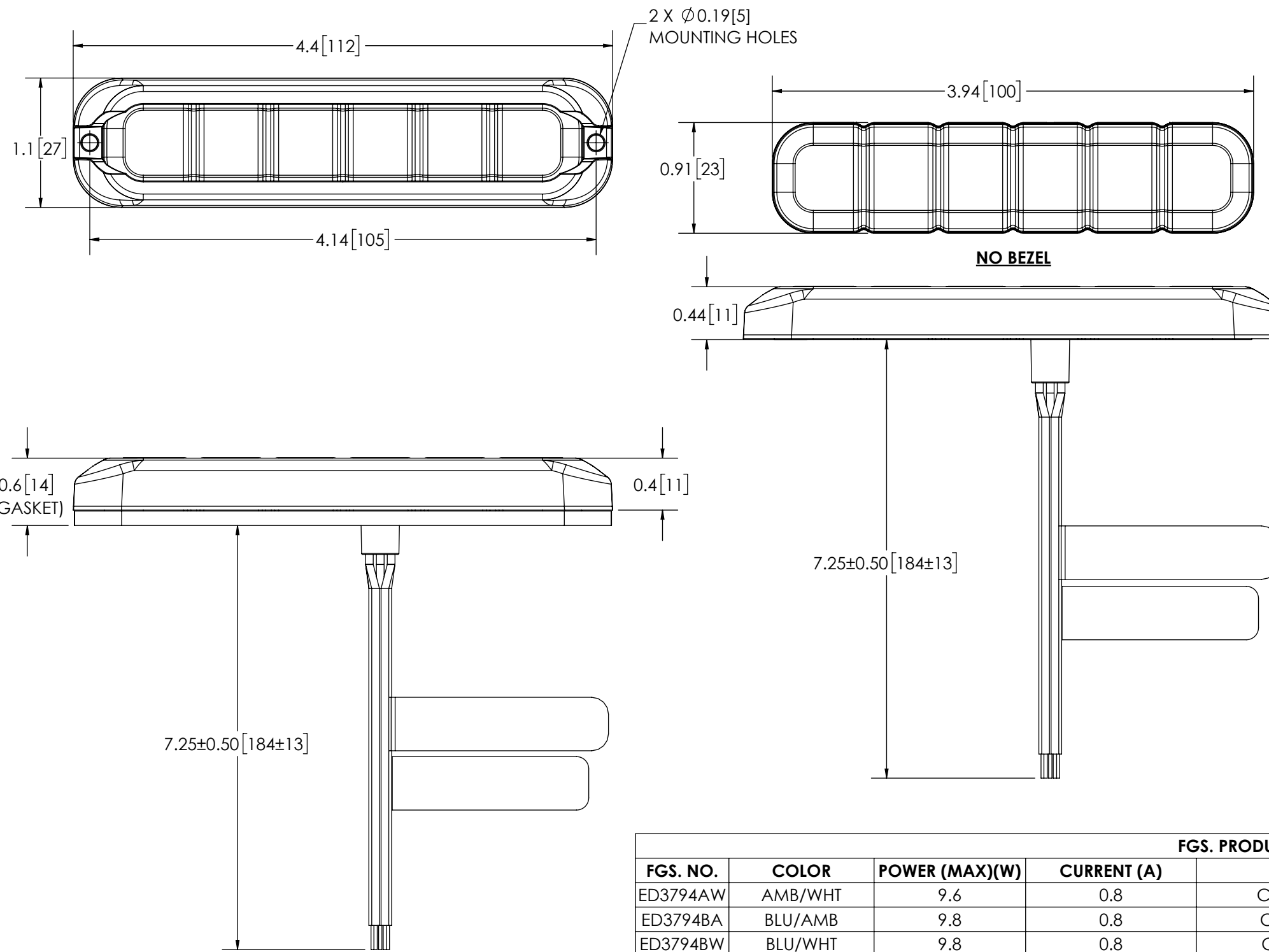


REVISION HISTORY		
REV.	DESCRIPTION	DATE
03	REVISED PER EL0172	2020-10-27
A	INITIAL RELEASE PER EL0172	2020-12-15
B	REVISED PER EL0172	2021-01-14



### SPECIFICATIONS

- CERTIFICATIONS: ECE R10; SAE J595 (MAR 2014) CLASS 1; J845 (FEB 2019) CLASS 1S; AMBER(30°), J845 (FEB 2019) CLASS 2S; WHITE(10°); CA Title 13 (SEE CHART); ; Reg 65; IP69K / IP67  
Note: Unique components, accessories, and hardware kits are not typically included in the Product Certification Test Protocols. Unless otherwise Specified, the Product Certifications referred to herein are predicated upon the base product model configuration.
- FLASH MODE: SINGLE : 75 ± 5 FLASHES PER MINUTE  
SINGLE : 375 ± 5 FLASHES PER MINUTE  
DOUBLE : 75 ± 5 FLASHES PER MINUTE
- VOLTAGE (NOMINAL): 12 to 24 VDC
- VOLTAGE (EXTREME): 9.0-32 VDC
- CURRENT (PEAK): SEE CHART(@ 12 VDC NOMINAL)
- POWER (MAXIMUM): SEE CHART (@ 12 VDC NOMINAL)
- TEMPERATURE RANGE: -22°F (-30°C) TO 122°F (50°C)
- CONNECTION: 5-22 AWG WIRES
- MOUNTING: ADHESIVE OR SCREW MOUNT
- BASE MATERIAL: SILICONE
- LENS MATERIAL: SILICONE
- PRODUCT WEIGHT: 0.07 LBS (0.03 Kg)

### FGS. PRODUCT CHART

FGS. NO.	COLOR	POWER (MAX)(W)	CURRENT (A)	SAE J845	CA T13	ECE R65
ED3794AW	AMB/WHT	9.6	0.8	CLASS 1S;AMB(60°)/WHT(40°)	CLASS B; AMB	CLASS 1; AMB
ED3794BA	BLU/AMB	9.8	0.8	CLASS 1S;BLU(60°)/AMB(60°)	CLASS B;BLU, AMB	CLASS 1; BLU, AMB
ED3794BW	BLU/WHT	9.8	0.8	CLASS 1S;BLU(60°)/WHT(40°)	CLASS B; BLU	CLASS 1; BLU
ED3794RA	RED/AMB	9.6	0.8	CLASS 1S;RED(60°)/AMB(60°)	CLASS B; RED,AMB	CLASS 1; RED, AMB
ED3794RB	RED/BLU	9.8	0.8	CLASS 1S;RED(60°)/BLU(60°)	CLASS B; RED,BLU	CLASS 1; RED, BLU
ED3794RW	RED/WHT	8.3	0.6	CLASS 1S; RED(60°)/WHT(40°)	CLASS B; RED	CLASS 1; RED

MOUNTING DISCLAIMER  
MOUNTING MEASUREMENT IS FOR REFERENCE ONLY.  
MEASURE BEFORE DRILLING.

DISCLAIMER  
DIMENSIONS, ILLUSTRATIONS, SPECIFICATIONS AND CERTIFICATIONS  
CONTAINED IN THIS DOCUMENT ARE TYPICAL OF THE ACTUAL PRODUCT  
AND ARE SUBJECT TO CHANGE. ECCO ENGINEERING DOES NOT  
MAINTAIN FORMAL DESIGN CONTROL OF THIS PRODUCT.

NOTES:  
1. ROHS COMPLIANT  
2. DIMENSIONS IN INCHES[MILLIMETERS (FOR REFERENCE)]

PROPRIETARY AND CONFIDENTIAL INFORMATION

THIS DRAWING AND THE DESIGN AND OTHER INFORMATION DISCLOSED HEREIN ARE THE PROPERTY OF ELECTRONIC CONTROLS COMPANY AND/OR ITS ECCO SAFETY GROUP AFFILIATES ("ECCO") AND IS ISSUED IN CONFIDENCE TO RECIPIENT FOR ENGINEERING INFORMATION PURPOSES ONLY. THIS DRAWING AND THE DESIGN AND OTHER INFORMATION DISCLOSED HEREIN MAY NOT BE USED, COPIED, REPRODUCED OR OTHERWISE DISCLOSED IN PART OR IN WHOLE TO THIRD PARTIES OR USED FOR ANY OTHER PURPOSE WITHOUT PRIOR ECCO WRITTEN CONSENT. ECCO RESERVES ALL PATENT, COPYRIGHT, TRADEMARK AND OTHER PROPRIETARY RIGHTS TO THIS DOCUMENT, INCLUDING ALL DESIGN, MANUFACTURING, REPRODUCTION, USE AND SALES RIGHTS THEREIN. THIS DRAWING IS SUBJECT TO RECALL BY ECCO AT ANY TIME, AND YOUR POSSESSION AND/OR USE CONSTITUTES ACCEPTANCE OF THESE TERMS. ©2020 ELECTRONIC CONTROLS COMPANY

SCALE 1:1	APPROVALS	DATE	www.eccolink.com Americas (800) 635-5900   Europe +44 (0)113 237 5340   Asia Pacific +61 (0)3 63322444 <b>DIR, 12LED, SM, FLEXIBLE, DC, 12-24V</b> CUSTOMER PART NO. <b>SEE CHART</b>														
CAD GENERATED DRAWING DO NOT MANUALLY UPDATE. MODEL REFERENCED: 01	DRAWN BY: ABB	2021-01-11															
TOLERANCES ARE IN INCHES, AND MILLIMETERS TOLERANCES UNLESS OTHERWISE STATED ARE:	CHECKED: ART	2021-01-12															
<table border="1"> <tr> <th>MILLIMETERS DECIMALS</th> <th>MILLIMETERS FRACTIONS</th> <th>INCHES DECIMALS</th> <th>INCHES FRACTIONS</th> <th>ANGLES</th> </tr> <tr> <td>XX ± 1.0mm</td> <td>XX ± 0.1</td> <td>X.XX ± 0.04</td> <td>X.XXX ± 0.02</td> <td>± 0.5°</td> </tr> <tr> <td>XX.X ± 0.5mm</td> <td></td> <td></td> <td></td> <td>± 1/64</td> </tr> </table>	MILLIMETERS DECIMALS	MILLIMETERS FRACTIONS		INCHES DECIMALS	INCHES FRACTIONS	ANGLES	XX ± 1.0mm	XX ± 0.1	X.XX ± 0.04	X.XXX ± 0.02	± 0.5°	XX.X ± 0.5mm				± 1/64	MECH. ENG. JLA
MILLIMETERS DECIMALS	MILLIMETERS FRACTIONS	INCHES DECIMALS	INCHES FRACTIONS	ANGLES													
XX ± 1.0mm	XX ± 0.1	X.XX ± 0.04	X.XXX ± 0.02	± 0.5°													
XX.X ± 0.5mm				± 1/64													
	ELEC. ENG. JES	2021-01-11															
	TEST ENG. AL	2021-01-13															
	SALES. MD	2021-01-11															
THIRD ANGLE PROJECTION	Electronically Controlled Use Latest Copy		SIZE: B DWG. NO. ED3794XX Project: EL0172 Date Created: 2020-09-11 REV. B														