



## BACK-UP ALARMS

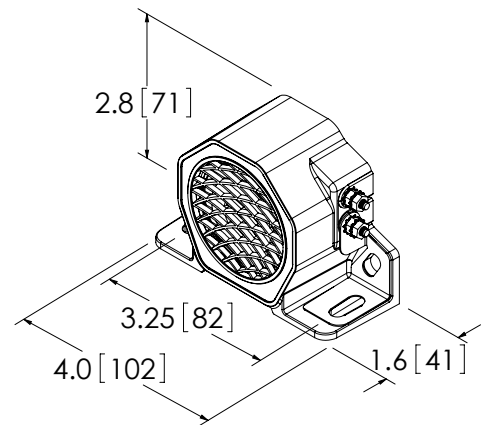
## WARNING ALARMS

### Surface Mount

ECCO's range of warning alarms offer a wide variety of warning sounds, including, constant tone, forward horn, dual tone and dual function. Ask your local representative for any supporting documents and certifications.

#### Models

PART NO.	CERTIFICATIONS	VOLTAGE	dB(A)	AMPS
CT530-2LDW	CE, UL, R10, IP64	12-24	102	0.5
Constant tone alarm provides a constant 102 decibel warning in a compact housing with an 18" lead wire connection.				
FH575	SAE Type L, CE, UL, R10	12	107	0.5
FH577	CE, UL, R10	12-48	107	1.2
Specifically designed for use on SCR controlled electric vehicles or heavy vibration IC vehicles.				
DT500	CE, R10, IP65	12-24	97	0.5
DT500FP-LWC	CE, UL, R10, IP64	12-24	102 Fast Pulse	0.9
Cost effective dual tone warning in a compact housing. Not intended for use as a back-up alarm.				
DF532	CE, R10, IP64	12-24	102 back-up 102 dual tone	0.3
DS232	CE, R10	12	97	0.2



#### Features and Benefits

- Sealed in epoxy for protection against dust, moisture and vibration
- Offers a wide variety of warning sounds
- 2 bolt mount
- Temperature range: -40°F to +185°F (-40°C to +85°C)