



BEACONS



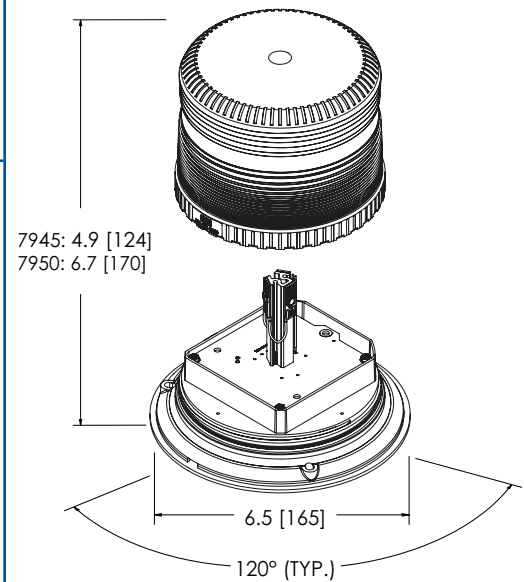
7945 SERIES Pulse[®] II LED Beacon

The 7945 Series beacon combines all the major benefits of the latest LED technology with a traditional, strobe style housing at a price point comparable to a strobe. Available in either 5" or 7" height profiles the 7945 is suitable for a wide range of applications. The 7945 features 12-48VDC operation and 11 flash patterns to produce an attention getting warning signal.

Models

PART NO.	MOUNT	LENS COLOR OPTIONS	LED COLOR
7945X	3 Bolt / 1" Pipe	<input type="checkbox"/> A <input type="checkbox"/> B <input type="checkbox"/> C <input type="checkbox"/> R <input type="checkbox"/> G	<input type="checkbox"/> C
7950X	3 Bolt / 1" Pipe	<input type="checkbox"/> A <input type="checkbox"/> B <input type="checkbox"/> C <input type="checkbox"/> R <input type="checkbox"/> G	<input type="checkbox"/> C
7945X-VM	Vacuum-Magnet	<input type="checkbox"/> A <input type="checkbox"/> B <input type="checkbox"/> C <input type="checkbox"/> R <input type="checkbox"/> G	<input type="checkbox"/> C
7950X-VM	Vacuum-Magnet	<input type="checkbox"/> A <input type="checkbox"/> B <input type="checkbox"/> C <input type="checkbox"/> R <input type="checkbox"/> G	<input type="checkbox"/> C
7945X-HBT	Semi-Permanent HBT	<input type="checkbox"/> A <input type="checkbox"/> B <input type="checkbox"/> C <input type="checkbox"/> R <input type="checkbox"/> G	<input type="checkbox"/> C
7950X-HBT	Semi-Permanent HBT	<input type="checkbox"/> A <input type="checkbox"/> B <input type="checkbox"/> C <input type="checkbox"/> R <input type="checkbox"/> G	<input type="checkbox"/> C

Replace "X" in part number with desired color: A = amber, B = blue, C = clear, G = green, R = red



Design Features

- 12-48 VDC, 1.3 Amps
- Choose profile height 5" (7945) or 7" (7950)
- 11 flash patterns
- Reinforced polypropylene base, polycarbonate lens
- Switched cigarette plug adapter (vacuum-magnet models)
- Temperature Range: -22°F to +122°F (-30°C to +50°C)

Parts & Accessories

- Lenses: 7945 - R6050LX
7950 - R6070LX