



MINIBARS



A, B, CA & R only

5550 SERIES REFLEX[®] 11" Microbar

5550 Series LED microbars provide a super-compact yet powerful warning solution that offers the flexibility of either permanent or vacuum-magnet mounting. Featuring 12-24 VDC operation, the Reflex microbar uses high intensity LEDs to maximize light output. Users can select from 35 or 91 flash patterns, either via trigger wire on permanent mount models or cigarette plug switch on vacuum-magnet models.

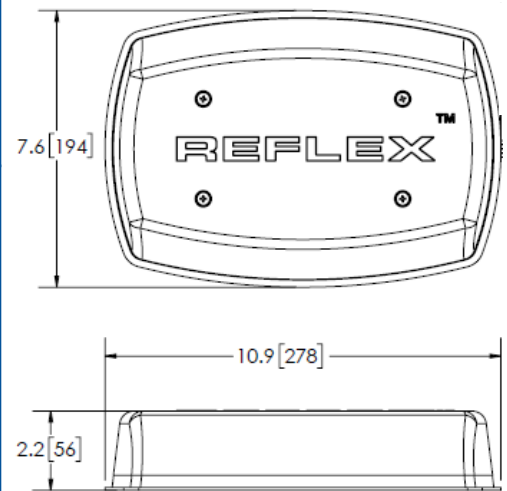
Models

PART NO.	MOUNT	TYPE	LENS COLOR	LED COLOR OPTIONS
5550A	4 Bolt or VM	Single	<input checked="" type="checkbox"/> A	<input checked="" type="checkbox"/> A
5550CX	4 Bolt or VM	Single	<input type="checkbox"/> C	<input checked="" type="checkbox"/> A <input type="checkbox"/> C
5550CXX	4 Bolt or VM	Dual	<input type="checkbox"/> C	<input checked="" type="checkbox"/> AB <input type="checkbox"/> AC <input type="checkbox"/> AG <input type="checkbox"/> AR

Replace "X" in part number with desired color: A=amber, B=blue, C=clear G=green, R=red

Design Features

- 12-24 VDC, 3.4 Amps
- Four LED reflector modules, each containing 12 LEDs provide high intensity light output
- Choice of 35 flash patterns on single-color or 91 flash patterns on dual-color models
- Cigarette plug with on/off and flash pattern selection switch (vacuum-magnet)
- Polycarbonate base & low profile lens
- Syncable with existing Reflex line of minibars
- Temperature Range: -22°F to +122°F (-30°C to +50°C)



Accessories / Replacements

- Domes: Amber - R5545LA
Clear - R5545LC
- Mounting Feet: EZ5500BKT