

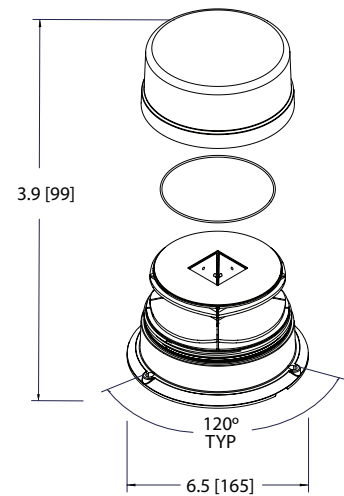


BEACONS



7160 SERIES REFLEX® HEAVY-DUTY LED

The 7160 Series Reflex® LED beacon provides the ultimate level of power, versatility and style available in an LED beacon. The latest high intensity LEDs combined with reflector technology produce a powerful, SAE Class I/Cal Title 13, warning signal in a light that also offers premium features including 23 flash patterns, hi/lo intensity control and synchronization capability. Low amp draw, zero maintenance make this light an obvious choice to replace strobe or rotating lights.



Models

| PART NO. | MOUNT | LENS COLOR | LED COLOR OPTIONS |
|----------|----------------------|---|---|
| 7160X | 3 Bolt/1" Pipe or VM | <input type="checkbox"/> A <input type="checkbox"/> B <input type="checkbox"/> G <input type="checkbox"/> R | <input type="checkbox"/> C |
| 7160CX | 3 Bolt/1" Pipe or VM | <input type="checkbox"/> C | <input type="checkbox"/> A <input type="checkbox"/> C |

Replace "X" in part number with desired color: A=amber, B=blue, C=clear, G=green, R=red

Design Features

- 12-24 VDC, 2.0 Amps
- High intensity LEDs and reflector technology produce an SAE Class I warning signal
- 23 flash patterns and hi/lo intensity control
- Multiple units can be synchronized
- Cigarette plug with on/off and flash pattern switch (vacuum magnet only)
- Temperature Range: -22°F to +122°F (-30°C to +50°C)