



# DIRECTIONAL LEDS



## ED3511 SERIES

### Surface Mount

The ED3511 LED warning light is designed to offer maximum performance with a minimal footprint. This surface mount LED measures only 0.5" deep, features 36 flash patterns and is available in amber, blue, white, green and red single- or dual-color options. Its compact form allows for mounting in virtually any location on a vehicle body, while its twelve 1-watt LEDs provide high-intensity utility and warning lighting across use cases. With a low current draw, long maintenance-free service life and a 5-year warranty, the ED3511 Series is a small yet powerful LED for work trucks, tow trucks or any other commercial vehicle application.

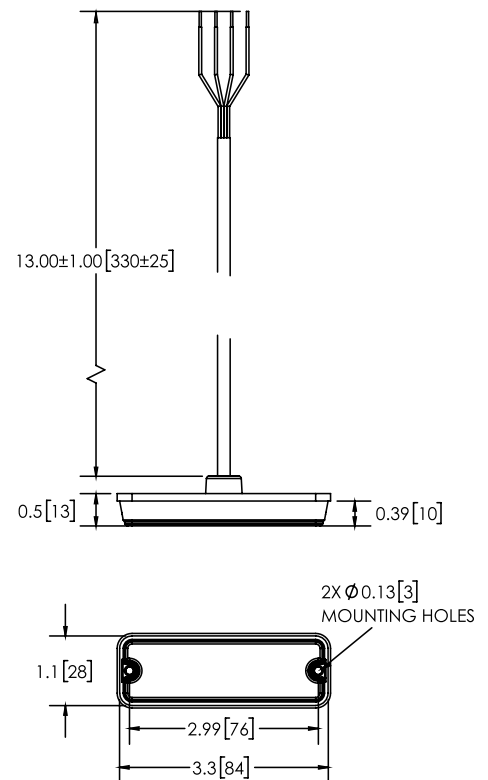
### Models

PART NO.	TYPE	FLASH PATTERNS	ILLUMINATION COLOR OPTIONS	AMPS
ED3511X	Single	29	<span style="color: orange;">■</span> A <span style="color: blue;">■</span> B <span style="color: white;">■</span> C <span style="color: green;">■</span> G <span style="color: red;">■</span> R	1.4
ED3511XX	Dual	69	<span style="color: orange;">■</span> AB <span style="color: white;">■</span> AW <span style="color: red;">■</span> AR <span style="color: blue;">■</span> BC <span style="color: red;">■</span> RB <span style="color: white;">■</span> RW	1.2

Replace "X" in part number with desired color: A=amber, B=blue, W=white, G=green, R=red

### Design Features

- 12-24 VDC
- ED3511 Series replaces the 3510 Series
- Twelve 1-watt high-intensity LEDs provide exceptional warning
- Synchronizable with additional ED3511s and Hide-A-LEDs
- All electronics embedded in lighthead
- UV-stabilized polycarbonate lens
- 13" cable
- Temperature Range: -22°F to +122°F (-30°C to +50°C)



### Accessories

- L-Bracket: SD24LBRKT
- Multi-Angle Bracket: SD24ZBRKT

