

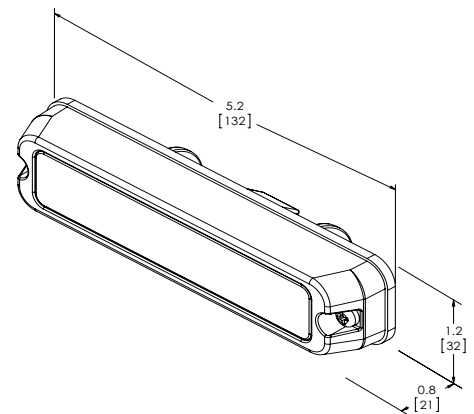


DIRECTIONAL LEDS



ED3712 Series SAE Class I Dual- or Tri-Color Multi-Mount

The ED3712 series directional is a low profile LED. This warning light offers the flexibility of two or three different color outputs within a single unit, comprised of high intensity LEDs, six of each color. Ideal for a wide variety of applications, the ED3712 offers the flexibility of four mounting options: surface mount, tilt bracket, self-adhesive mount, and edge mount (all necessary hardware is included with each light). Featuring 12 (dual-color) or 24 (tri-color) flash patterns and synchronization capability, this super bright LED is designed for maximum light output at all angles. Each model can be programmed to flash each color option individually or alternately.



Models

PART NO.	COLORS	VDC	AMPS
ED3712AB	Amber/Blue	12-24	1.25
ED3712AC	Amber/Clear	12-24	1.25
ED3712AG	Amber/Green	12-24	1.25
ED3712AR	Amber/Red	12-24	1.25
ED3712BC	Blue/Clear	12-24	1.25
ED3712RB	Red/Blue	12-24	1.25
ED3712RC	Red/Clear	12-24	1.25
ED3712BAW	Blue/Amber/White	12-24	1.25
ED3712RAW	Red/Amber/White	12-24	1.25
ED3712RBA	Red/Blue/Amber	12-24	1.25
ED3712RBW	Red/Blue/White	12-24	1.25
ED3712AGW	Amber/Green/White	12-24	1.25

Mounting Options



Tilt Bracket / Self-Adhesive

Edge Mount

Features and Benefits

ED3712XX

- 12 high intensity LEDs (6 per color)
- Dual-color warning
- 12 flash patterns
- Low profile with 4 mounting options
- Synchronizable
- Temperature Range: -22°F to +122°F (-30°C to +50°C)

ED3712XXX

- 18 high intensity LEDs (6 per color)
- Tri-color warning
- 24 flash patterns
- Low profile with 4 mounting options
- Synchronizable
- Temperature Range: -22°F to +122°F (-30°C to +50°C)