



# DIRECTIONAL LEDS



## ED3706 SERIES

### SAE Class I Solid- or Split-Color Multi Mount

The ED3706 series is an ultra thin, low profile LED. Available in solid and split color, this compact LED is ideal for a wide variety of applications, offering the flexibility of four mounting options: surface mount, tilt bracket, self-adhesive mount, and edge mount (all necessary hardware is included with each light). Featuring 13 flash patterns and synchronization capability, this super bright LED is designed for maximum light output at all angles.

#### Models

PART NO.  
ED3706X  
ED3706XX

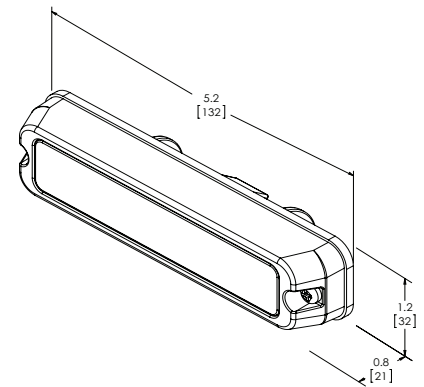
TYPE  
Single  
Split



Replace "X" in part number with desired color: A=amber, B=blue, C=clear, G=green, R=red

#### Features and Benefits

- 12-24 VDC, 0.9 Amps
- Six high-intensity LEDs provide exceptional warning
- 13 flash patterns with 29 modes
- Synchronizable
- Aluminum housing, polycarbonate lens
- Four mounting options (hardware included)
- Temperature Range: -22°F to +122°F (-30°C to +50°C)



#### Flash Patterns (13)

- Single
- Fast Single
- Double
- Fast Double
- Quad (default)
- Fast Quad
- Triple
- Quint
- Steady - Single
- Steady Burn
- Modulation
- 2 Double, 2 Triple, Alt
- 4 Single, 2 Quad, Alt

#### Mounting Options

