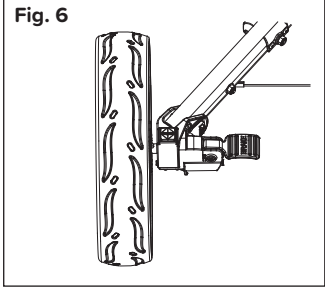
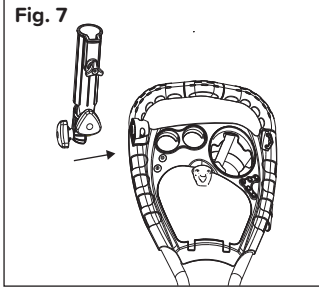


## FOOT BRAKE

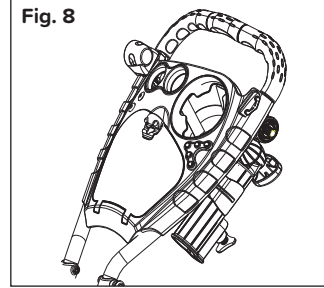


To activate the foot brake, push down on the foot brake lever. Push down on the lever again to release.

## UMBRELLA HOLDER

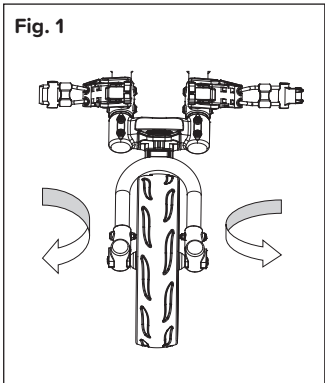


The umbrella holder screws onto the umbrella holder mount. Adjust and tighten to the desired position.

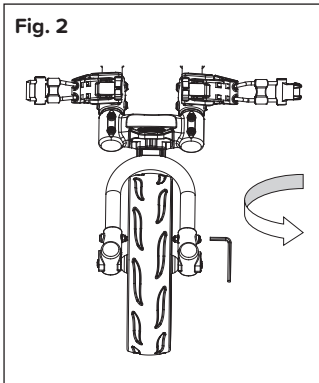


The umbrella holder can be stored away when not in use by using the umbrella holder storage clip on the underside of the trolley handle.

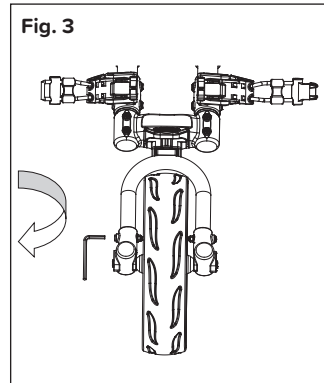
## FRONT WHEEL ALIGNMENT & ADJUSTMENT



If the iCart pulls to the left or the right during use, you can alter the front wheel alignment to correct this issue. See **Fig. 2 and 3**



If your iCart pulls to the left, using the supplied Allen wrench, turn the right adjustment bolt clockwise. Balance adjustment between both sides to eliminate pulling.



If your iCart pulls to the right, using the supplied Allen wrench, turn the left adjustment bolt counter clockwise. Balance adjustment between both sides to eliminate pulling.

### Cleaning & maintenance

Please follow these simple guidelines to help protect your trolley:

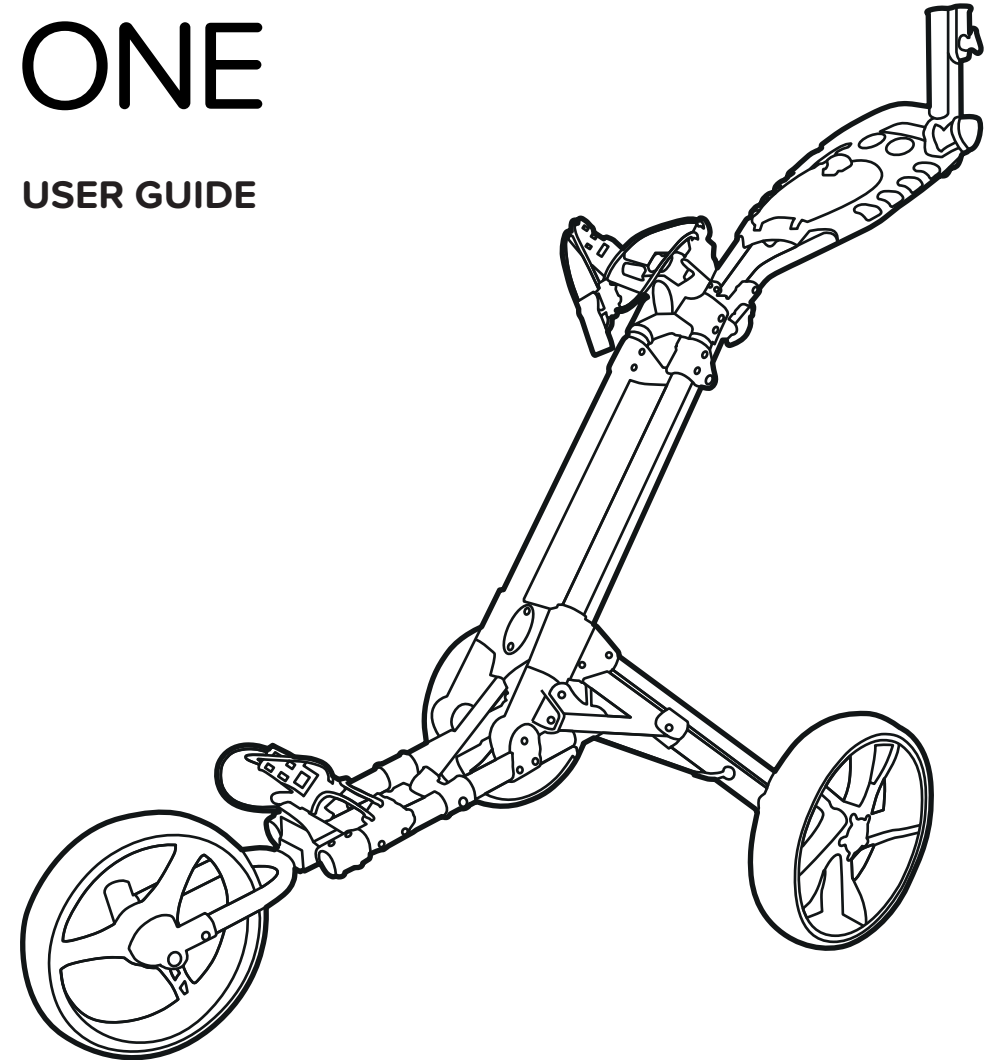
- Do not store your trolley outside
- Wipe excess water and dirt away with a damp cloth prior to storage
- Never use a pressure washer to clean your trolley
- Lubricate moving components every 6 months

**icart**

Gordano Gate  
Serbert Road  
Portishead  
BS20 7GG  
United Kingdom

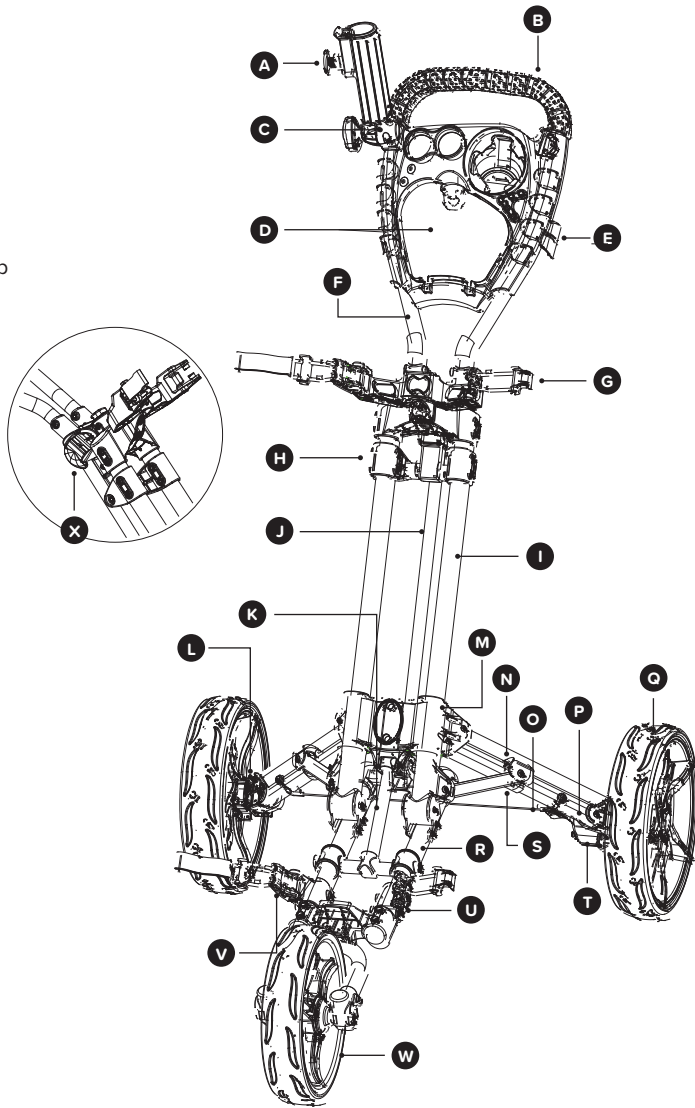
**icart**  
**ONE**

**USER GUIDE**



# PARTS LIST

- A** Umbrella holder
- B** Handle grip
- C** Umbrella holder mount
- D** Scorecard holder
- E** Umbrella holder storage clip
- F** Handle tube
- G** Upper bag holder bracket
- H** Joint
- I** Main upper frame tube
- J** Connecting rods
- K** Sliding connecting rod
- L** Left locking wheel hub
- M** Leg bracket
- N** 2-hole leg frame
- O** Anti-splay wire
- P** 4-hole leg frame
- Q** Wheel
- R** Main lower frame tube
- S** Weight stabilizer
- T** Right locking wheel hub
- U** Lower bag bracket
- V** Adjustable bag strap
- W** Front wheel assembly
- X** Adjustable handle



# ASSEMBLY

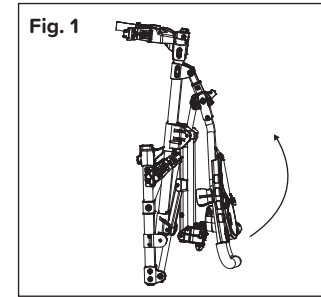


Fig. 1 Pull the handle up until you hear the iCart 'click'.

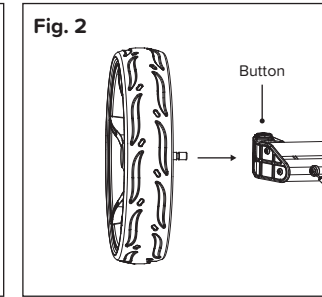


Fig. 2 To insert the side wheels, press the button and insert the rear wheels as shown above.

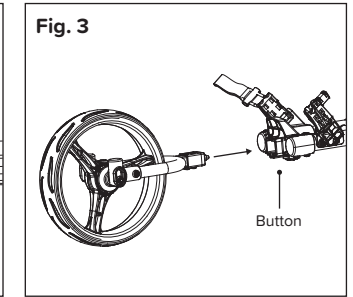


Fig. 3 To insert the front wheel, press the release button and insert into position as shown.

# FOLDING

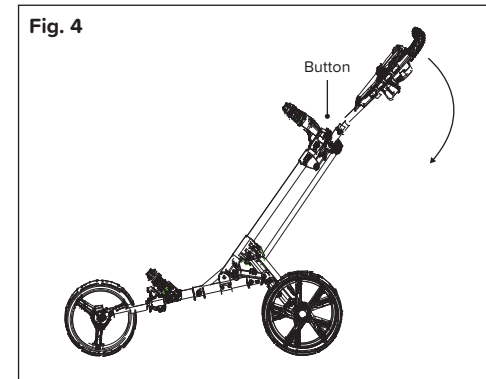


Fig. 4 Press the button and begin to fold the iCart by pulling the handle downwards in the direction of the arrow shown above.

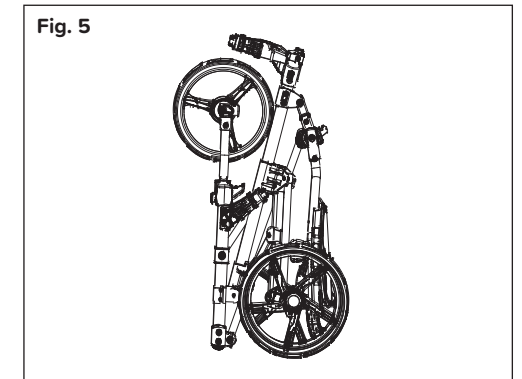


Fig. 5 The iCart should replicate the image above when fully folded into its storage position.



**Before using your iCart, please take the time to read the assembly instructions**

- Always make sure the iCart is fully extended and locked before use.
- Always make sure the iCart is folded and locked properly before lifting or transporting.
- Only use accessories designed for use with this iCart.
- Take care when extending and folding the iCart. Keep hands away from any moving or sliding parts.
- Always maintain control of the iCart. Use the foot brake on inclines. Do not let the trolley run away from you.
- Please keep all packaging materials away from children – potential choking or suffocation hazards.