

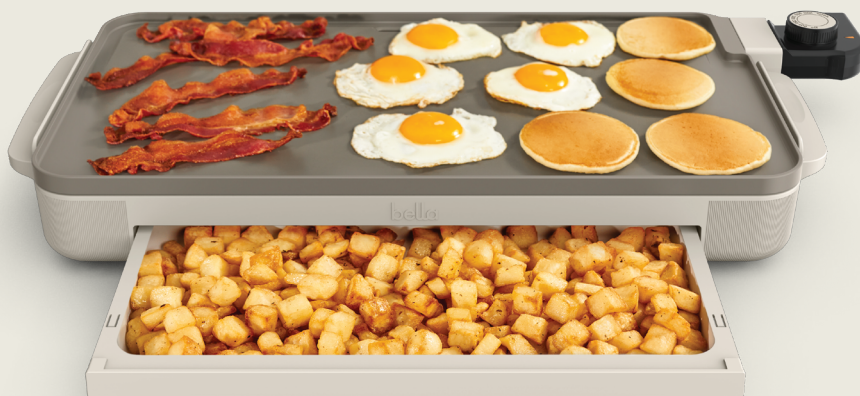
# bella™

## 10" x 18" Griddle with Warming Tray

Instruction Manual

## Plancha con bandeja de calentamiento 10" x 18"

Manual de instrucciones



Scan to register  
[bellakitchenware.com](https://bellakitchenware.com)





## TABLE OF CONTENTS

IMPORTANT SAFEGUARDS.....	2
FOR HOUSEHOLD USE ONLY.....	2
SAVE THESE INSTRUCTIONS.....	2
ADDITIONAL IMPORTANT SAFEGUARDS.....	2-3
NOTES ON THE PLUG.....	3
NOTES ON THE CORD.....	3
PLASTICIZER WARNING.....	3
ELECTRIC POWER.....	3
GETTING TO KNOW YOUR GRIDDLE.....	4
TEMPERATURE CONTROL PROBE.....	5
BEFORE USING FOR THE FIRST TIME.....	5
OPERATING INSTRUCTIONS.....	5
TIME/TEMPERATURE CHART.....	6
USDA COOKING GUIDELINES.....	6
USER MAINTENANCE INSTRUCTIONS.....	6
CARE & CLEANING INSTRUCTIONS.....	6
HINTS FOR CARE AND USE OF CERAMIC NON-STICK SURFACE.....	6-7
STEPS FOR STAIN REMOVAL AND PROPER CARE OF YOUR CERAMIC NON-STICK COATING.....	7
WARRANTY.....	8

## ÍNDICE

INSTRUCCIONES DE SEGURIDAD IMPORTANTES.....	9
PARA USO DOMÉSTICO ÚNICAMENTE.....	10
GUARDE ESTAS INSTRUCCIONES.....	10
INSTRUCCIONES DE SEGURIDAD ADICIONALES.....	10
NOTAS SOBRE EL ENCHUFE.....	10
NOTAS SOBRE EL CABLE.....	10
ADVERTENCIA SOBRE EL PLASTIFICANTE.....	11
ENERGÍA ELÉCTRICA.....	11
CONOZCA SU PLANCHA.....	12
SENSOR DE CONTROL DE TEMPERATURA.....	13
INSTRUCCIONES DE FUNCIONAMIENTO.....	13
CUADRO DE TIEMPO/TEMPERATURA.....	14
GUÍA PARA COCINAR DEL DEPARTAMENTO DE AGRICULTURA DE LOS ESTADOS UNIDOS (USDA).....	14
INSTRUCCIONES DE MANTENIMIENTO PARA EL USUARIO.....	14
INSTRUCCIONES DE LIMPIEZA Y CUIDADO.....	14-15
CONSEJOS PARA EL CUIDADO Y USO DE LA SUPERFICIE ANTIADHERENTE CERÁMICA.....	15
PASOS PARA LA ELIMINACIÓN DE MANCHAS Y EL CUIDADO ADECUADO DE SU REVESTIMIENTO CERÁMICO ANTIADHERENTE.....	15
GARANTÍA.....	16



# IMPORTANT SAFEGUARDS

When using electrical appliances, basic safety precautions should always be followed, including the following:

1. **READ ALL INSTRUCTIONS.**
2. Do not touch hot surfaces. Use handles or knobs.
3. To protect against electrical shock, do not immerse cord, plugs, or appliance in water or other liquid.
4. This appliance is not intended for use by persons (including children) with reduced physical, sensory or mental capabilities, or lack of experience and knowledge, unless they have been given supervision or instruction concerning use of the appliance by a person responsible for their safety.
5. Close supervision is necessary when any appliance is used by or near children.
6. Turn unit Off and unplug from outlet when not in use and before cleaning. Allow to cool before putting on or taking off parts, and before cleaning the appliance.
7. Do not operate any appliance with a damaged cord or plug or after the appliance malfunctions, or has been damaged in any manner. Return appliance to the nearest authorized service facility for examination, repair or adjustment.
8. The use of accessory attachments not recommended by the appliance manufacturer may cause injuries.
9. Do not use outdoors.
10. Do not let cord hang over the edge of table or counter, or touch hot surfaces.
11. Do not place on or near a hot gas or electric burner, or in a heated oven.
12. Extreme caution must be used when moving an appliance containing hot oil or other hot liquids.
13. Always attach temperature control probe to appliance first, then plug cord in the wall outlet. To disconnect, turn temperature control probe to OFF, then remove plug from wall outlet.
14. Do not use appliance for other than intended use.

## FOR HOUSEHOLD USE ONLY SAVE THESE INSTRUCTIONS ADDITIONAL IMPORTANT SAFEGUARDS

**CAUTION, HOT SURFACES:** This appliance generates heat and escaping steam during use. Proper precautions must be taken to prevent the risk of burns, fires, or other injury to persons or damage to property.

**CAUTION:** This appliance is hot during operation and retains heat for some time after turning OFF. Always use oven mitts when handling hot materials and allow metal parts to cool before cleaning. Do not place anything on top of the appliance while it is operating or while it is hot.

1. All users of this appliance must read and understand this Instruction Manual before operating or cleaning this appliance.
2. The cord to this appliance should be plugged into a 120 V AC electrical outlet only.
3. If this appliance begins to malfunction during use, turn unit Off and immediately unplug the cord. Then remove the temperature control probe. Do not use or attempt to repair the malfunctioning appliance.
4. Do not leave this appliance unattended during use.

### **NOTES ON THE PLUG**

This appliance has a polarized plug (one blade is wider than the other). To reduce the risk of electric shock, this plug will fit in a polarized outlet only one way. If the plug does not fit fully into the outlet, reverse the plug. If it still does not fit, contact a qualified electrician. Do not modify the plug in any way.

### **NOTES ON THE CORD**

- A. A short power-supply cord (or detached power-supply cord) is provided to reduce the risk resulting from becoming entangled in or tripping over a long cord.
- B. Longer detachable power-supply cords or extension cords are available and may be used if care is exercised in their use.
- C. If a long detachable power-supply cord or extension cord is used:
  1. The marked electrical rating of the cord set, or extension cord should be at least as great as the electrical rating of the appliance.
  2. If the appliance is of the grounded type, the extension cord should be a grounding-type 3-wire cord.
  3. The longer cord should be arranged so that it will not drape over the countertop or tabletop where it can be pulled on by children or tripped over.

### **PLASTICIZER WARNING**

**CAUTION:** To prevent plasticizers from migrating to the finish of the countertop or tabletop or other furniture, place NON-PLASTIC coasters or place mats between the appliance and the finish of the countertop or tabletop. Failure to do so may cause the finish to darken, permanent blemishes may occur, or stains can appear.

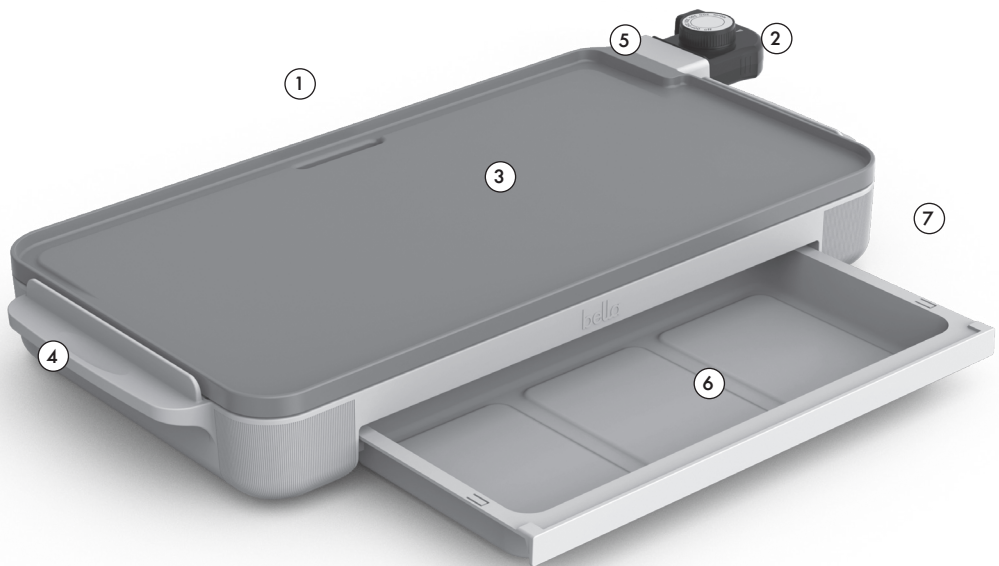
### **ELECTRIC POWER**

If the electrical circuit is overloaded with other appliances, your appliance may not operate properly. It should be operated on a separate electrical circuit from other appliances.

## GETTING TO KNOW YOUR GRIDDLE

Product may vary slightly from illustration.

1. Dishwasher safe drip tray (not shown)
2. Removable temperature control
3. EverGood™ Ceramic Nonstick Coating
4. Cool-touch handles
5. Probe Insert
6. Warming Tray
7. Polarized Plug (not shown)





## TEMPERATURE CONTROL PROBE

1. The temperature control probe is the nerve center and brain of the electric Griddle. Treat it carefully. Dropping or banging it could change its calibration and make the temperature settings inaccurate.
2. Rotate the dial to select the temperature as called for in the recipe.
3. The indicator light on the temperature control probe will illuminate as soon as the dial is rotated. The light will go out once the selected temperature has been reached.
4. Allow the Griddle to cool before removing the temperature control probe.
5. To clean the temperature control probe, simply wipe down with a soft, damp cloth. Make sure you dry it thoroughly before using again.

**NOTE:** The temperature control probe is not submersible.

**CAUTION:** Use the temperature control probe supplied with this Griddle only. The use of any other temperature control probe may cause fire, electric shock, or injury.

## BEFORE USING FOR THE FIRST TIME

1. Carefully unpack the Griddle and remove all packaging materials.
2. Place the ceramic non-stick Griddle on a clean, flat working surface.

**NOTE:** Some countertop and table surfaces, such as Corian® and other surfaces, are not designed to withstand the prolonged heat generated by this Griddle. We recommend placing a hot pad or trivet under the Griddle beforehand to avoid possible damage to the surface. Be sure the sides and back of the Griddle are at least 4 inches away from any walls, cabinets, or objects on the counter or table.

3. Before first use, see Hints For Care and Use of ceramic Non-Stick Surface and Care & Cleaning Instructions sections of this Instruction Manual.
4. Before cooking in the Griddle for the first time, wash the ceramic non-stick Griddle in mild dishwashing soap, wipe and allow to dry.

**NOTE:** The griddle is not dishwasher safe.

5. Insert drip tray into rails under the Griddle's side, positioned directly under the grease drain.
6. Turn the temperature control knob on probe to OFF position and attach securely in place.
7. Coat the ceramic non-stick surface with vegetable shortening before heating. If necessary, remove excess oil with paper towel.

## OPERATING INSTRUCTIONS

1. Turn temperature control probe to the OFF position.
2. Plug the temperature control probe securely into Griddle's control probe socket.
3. Plug cord into any standard 120 V AC wall outlet.

**IMPORTANT:** ALWAYS PLUG CORD INTO GRIDDLE FIRST, THEN INTO WALL OUTLET.

4. Preheat Griddle for approximately 10 minutes before cooking. To preheat, turn the temperature control to desired temperature. The indicator light on the temperature control probe will illuminate as soon as the dial is rotated. The light will go out once the selected temperature has been reached.
5. Add food and cook according to the recipe. Adjust temperature control dial from 200 °F to 400 °F as necessary.

**NOTE:** During cooking, the light will go on and off indicating that the Griddle is maintaining proper temperature.

**CAUTION:** Griddle surfaces are hot during use.

**CAUTION:** DO NOT USE COOKING SPRAYS. THEY CAN CAUSE A BUILD-UP ON THE COOKING PLATES AND MAY AFFECT THE CERAMIC NON-STICK PERFORMANCE OF THE PRODUCT.

6. When cooking bacon or foods containing large quantities of grease, it may be necessary to check the drip tray to make sure it is not full. Remove drip tray; empty contents and wash if needed. See the Time/Temperature Chart for basic suggested cooking information.
7. Once you have finished some preparation and want to keep them warm while cooking another batch, just insert them into the warming tray.
8. When cooking has been completed, turn the temperature control to the OFF position. The indicator light on the temperature control probe will turn off.
9. Unplug cord from wall outlet. Let the Griddle cool completely.
10. Remove temperature control probe from Griddle. Follow the Care & Cleaning Instructions described in this Instruction Manual.

## TIME/TEMPERATURE CHART

Food	Temperature	Time	Directions
Bacon	325 °F - 350 °F	8-14 minutes	Set to appropriate temperature – turn as required.
Sausage	325 °F - 350 °F	20-30 minutes	Set to appropriate temperature – turn as required.
French Toast	350 °F	6-10 minutes	Rotate halfway into cooking time.
Hamburger	350 °F	3-14 minutes	Rotate halfway into cooking time.
Ham Slices	350 °F	14-18 minutes	Rotate halfway into cooking time.
Sandwiches	350 °F	6-10 minutes	Butter outside and brown both sides.
Pancakes	400 °F	2-6 minutes	Pour batter onto griddle - when bubbles appear on top side, turn.
Pork Chops	350 °F	20-30 minutes	Brown both sides then reduce temperature to 325 °F Rotate halfway into cooking time.
Steaks	400 °F – Rare 400 °F – Medium 400 °F – Well	4-6 minutes 7-12 minutes 13-18 minutes	Rotate halfway into cooking time.

## USDA COOKING GUIDELINES

**NOTE:** The United States Department of Agriculture recommends that meat and poultry be cooked to the following internal temperatures to be sure any harmful bacteria has been killed. Ground turkey and chicken should be cooked to an internal temperature of 165 °F / 74 °C and ground beef, veal, lamb and pork be cooked to an internal temperature 160 °F / 71 °C. Whole chicken and turkey should be cooked to an internal temperature of 180 °F / 82 °C; 170 °F / 77 °C for the breast. Goose and duck should be cooked to an internal temperature of 180 °F / 82 °C. Fresh beef, veal and lamb, etc., should be cooked to an internal temperature of at least 145 °F / 63 °C. Fresh pork should be cooked to an internal temperature of at least 160 °F / 71 °C. When re-heating meat and poultry products, they should also be cooked to an internal temperature of 165 °F / 74 °C.

## USER MAINTENANCE INSTRUCTIONS

This appliance requires little maintenance. It contains no user serviceable parts. Do not try to repair it yourself. Any servicing requiring disassembly other than cleaning must be performed by a qualified appliance repair technician.

## CARE & CLEANING INSTRUCTIONS

**CAUTION:** Do not immerse the cord, plug or temperature control probe in water or any other liquid.

**CAUTION:** To avoid accidental burns, allow your Griddle to cool thoroughly before cleaning.

1. When cooking is completed, turn unit Off and unplug cord from wall outlet. Allow Griddle to cool.
2. Remove temperature control probe from Griddle.

**CAUTION:** The probe may become hot after use. Allow to cool before handling.

3. If necessary, wipe temperature control case and probe with a damp, soft cloth. Dry temperature control probe completely. Set aside.

**CAUTION:** The temperature control probe is not submersible.

4. Remove drip tray; empty contents. Wash Griddle and drip tray in soapy water; rinse and dry thoroughly.
5. Wash Warming Tray and Drip tray in Dishwasher or by hand
6. To wash by hand, wash griddle plate with hot soapy water. Dry with towel.

**CAUTION:** Probe and probe receptacle must be completely dry before use.

7. For stubborn food particles, loosen with a plastic cleaning pad. Avoid hard scouring of the ceramic non-stick finish as this may cause surface scratches. Do not use steel wool, scouring pads, or abrasive cleaners on any part of the Griddle.

## HINTS FOR CARE AND USE OF CERAMIC NON-STICK SURFACE

- To avoid scratching the non-stick surface, do not stack objects on the grill or griddle cooking plates.

**CAUTION:** DO NOT USE COOKING SPRAYS. THEY CAN CAUSE A BUILD-UP ON THE COOKING PLATES AND MAY AFFECT THE CERAMIC NON-STICK PERFORMANCE OF THE PRODUCT.

- Use medium to low heat for best cooking results. Very high temperatures can cause discoloration and shorten the life span of any ceramic non-stick surface. If higher temperatures are necessary, preheat on medium heat for a few minutes.



- For best results and preserve the ceramic non-stick coating longer, use nylon, plastic, wooden or rubber utensils. Never cut food on the Griddle.
- Remove stubborn stains with a plastic scouring pad and mild dish washing liquid; DO NOT USE STEEL WOOL as it will damage the ceramic non-stick surface of the cooking plates.

### **STEPS FOR STAIN REMOVAL AND PROPER CARE OF YOUR CERAMIC NON-STICK COATING**

1. Identify stained areas on the cooking surface and sprinkle some baking soda on the stains.
2. Moisten the baking soda to get a paste like texture by adding some water.
3. Let the paste stand for a few minutes on the stains (not more than an hour).

4. Rub with a soft damp cloth or lightly scrub with a plastic scouring pad, wipe clean and dry thoroughly.

**NOTE:** Do not rub vigorously when using a plastic scouring pad and NEVER use a metal scouring pad as this may damage the ceramic non-stick coating.

5. Repeat the cycle once again if necessary. The performance and non-stick property of the ceramic non-stick coating will not be affected due to stains.



## LIMITED TWO-YEAR WARRANTY

SENSIO Inc. hereby warrants that for a period of **TWO YEARS** from the date of purchase, this product will be free from mechanical defects in material and workmanship, and for 90 days in respect to non-mechanical parts. At its sole discretion, SENSIO Inc. will either repair or replace the product found to be defective, or issue a refund on the product during the warranty period.

The warranty is only valid for the original retail purchaser from the date of initial retail purchase and is not transferable. Keep the original sales receipt, as proof of purchase is required to obtain warranty validation. Retail stores selling this product do not have the right to alter, modify, or in any way revise the terms and conditions of the warranty.

### EXCLUSIONS:

The warranty does not cover normal wear of parts or damage resulting from any of the following: negligent use of the product, use of improper voltage or current, improper routine maintenance, use contrary to the operating instructions, disassembly, repair, or alteration by anyone other than qualified SENSIO Inc. personnel. Also, the warranty does not cover Acts of God such as fire, floods, hurricanes, or tornadoes.

SENSIO Inc. shall not be liable for any incidental or consequential damages caused by the breach of any express or implied warranty. Apart from the extent prohibited by applicable law, any implied warranty of merchantability or fitness for a particular purpose is limited in time to the duration of the warranty. Some states, provinces or jurisdictions do not allow the exclusion or limitation of incidental or consequential damages, or limitations on how long an implied warranty lasts, and therefore, the above exclusions or limitations may not apply to you. The warranty covers specific legal rights which may vary by state, province and/or jurisdiction.

### HOW TO OBTAIN WARRANTY SERVICE:

You must contact Customer Service at our toll-free number: 1-866-832-4843.

A Customer Service Representative will attempt to resolve warranty issues over the phone. If the Customer Service Representative is unable to resolve the problem, you will be provided with a case number and asked to return the product to SENSIO Inc. Attach a tag to the product that includes: your name, address, daytime contact telephone number, case number, and description of the problem. Also, include a copy of the original sales receipt. Carefully package the tagged product with the sales receipt, and send it (with shipping and insurance prepaid) to SENSIO Inc.'s address. SENSIO Inc. shall bear no responsibility or liability for the returned product while in transit to SENSIO Inc.'s Customer Service Center.

# INSTRUCCIONES DE SEGURIDAD IMPORTANTES

Al utilizar electrodomésticos, siempre deben cumplirse las precauciones de seguridad básicas, incluidas las siguientes:

1. **LEA TODAS LAS INSTRUCCIONES.**
2. No toque las superficies calientes. Utilice los mangos o las perillas. Use manoplas o agarraderas.
3. Para protegerse del riesgo de descarga eléctrica, no sumerja el cable, el enchufe ni el sensor de control de temperatura en agua ni en ningún otro .
4. Este electrodoméstico no debe ser utilizado por personas (incluidos niños) con capacidades físicas, sensoriales o mentales reducidas, o falta de experiencia y conocimientos, a menos que una persona responsable de su seguridad les haya brindado supervisión o instrucciones sobre el uso del electrodoméstico.
5. Supervisión cercana es necesaria cuando cualquier aparato sea utilizado por un niño o cerca de un niño.
6. Apague y desenchufe el electrodoméstico del tomacorriente cuando no lo utilice y antes de limpiarlo. Deje que se enfríe antes de colocar o retirar piezas y antes de limpiar el electrodoméstico.
7. No utilice ningún electrodoméstico que tenga un cable o enchufe dañado, que muestre un funcionamiento defectuoso o que se haya dañado de cualquier manera. Regrese el aparato al centro de servicio más cercano para ser inspeccionado, ajustado o reparado.
8. El uso de accesorios no recomendados por el fabricante del electrodoméstico puede provocar lesiones.
9. No utilice este electrodoméstico en exteriores.
10. No permita que el cable cuelgue del borde de una mesa o de una encimera ni que entre en contacto con superficies calientes.
11. No lo coloque sobre un quemador a gas o eléctrico, o cerca de él, ni dentro de un horno caliente.
12. Se debe ser sumamente cuidadoso al mover un electrodoméstico que contiene aceite caliente u otros s calientes.
13. Siempre coloque el sensor de control de temperatura en el electrodoméstico antes de enchufar el cable en el tomacorriente de pared. Para desconectar la unidad, coloque el sensor de control de temperatura en la posición OFF (Apagado) y retire el enchufe del tomacorriente de pared.
14. No utilice el electrodoméstico para otros fines que no sean para los que fue diseñado.

# PARA USO DOMÉSTICO ÚNICAMENTE

## GUARDE ESTAS INSTRUCCIONES

### INSTRUCCIONES DE SEGURIDAD ADICIONALES

**PRECAUCIÓN, SUPERFICIES CALIENTES:** Este electrodoméstico genera calor y libera vapor mientras está en uso. Se deben tomar las medidas adecuadas para evitar el riesgo de quemaduras, incendios u otro tipo de lesiones personales o daños a la propiedad.

**PRECAUCIÓN:** Este electrodoméstico se calienta durante el funcionamiento y mantiene el calor un tiempo después de apagado. Siempre use manoplas al manipular materiales calientes y deje que las piezas metálicas se enfríen antes de limpiarlas. No coloque nada sobre el electrodoméstico mientras esté en funcionamiento o esté caliente.

1. Todos los usuarios de este electrodoméstico deben leer y comprender este manual del usuario antes de poner en funcionamiento o limpiar este electrodoméstico.
2. El cable de este electrodoméstico únicamente debe enchufarse en un tomacorriente eléctrico de CA de 120 V.
3. Si el electrodoméstico comienza a funcionar mal mientras está en uso, desenchufe el cable de inmediato. Luego, retire el sensor de control de temperatura. No utilice ni intente reparar un electrodoméstico que funcione mal.
4. No descuide el electrodoméstico mientras esté en funcionamiento.

#### **NOTAS SOBRE EL ENCHUFE**

A fin de reducir el riesgo de descarga eléctrica, el enchufe entra en un tomacorriente polarizado en un solo sentido. Si el enchufe no entra completamente en el tomacorriente, invierta el enchufe. Si aun así no entra, consulte a un electricista autorizado. No realice ninguna modificación al enchufe.

#### **NOTAS SOBRE EL CABLE**

- A. El aparato cuenta con un cable de alimentación corto para evitar que se enrede o que sea un obstáculo.
- B. Es posible utilizar una extensión eléctrica con vigilancia.
- C. Si utiliza una extensión:
  1. Asegúrese de que el calibre indicado en el cordón sea como mínimo tan alto como las características eléctricas indicadas en el aparato.
  2. La extensión debe contar con un cordón de 3 conductores con puesta a tierra, si el aparato contara con el conductor de puesta a tierra.
  3. El cordón y la extensión se deben colocar de modo que no cuelguen de una superficie plana o una mesa para evitar que estén al alcance de los niños o que representen un obstáculo para ellos.



## **ADVERTENCIA SOBRE EL PLASTIFICANTE**

**PRECAUCIÓN:** Para evitar que el plastificante se transfiera sobre el acabado de la encimera, la superficie de trabajo u otro mueble, coloque posavasos o manteles individuales **NO PLÁSTICOS** entre el electrodoméstico y el acabado de la encimera o la superficie. De lo contrario, el acabado puede oscurecerse o pueden aparecer manchas o marcas permanentes.

## **ENERGÍA ELÉCTRICA**

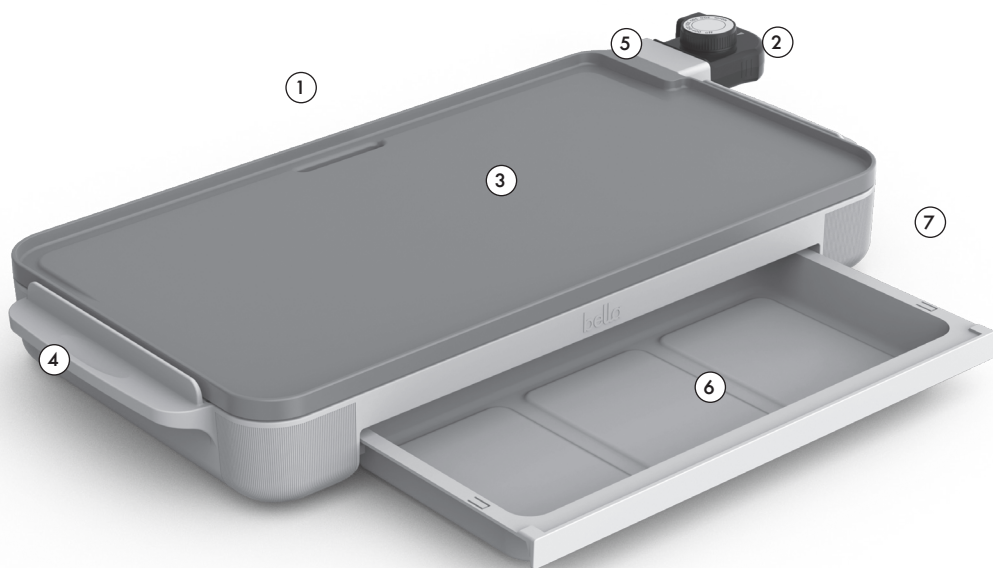
Si el circuito eléctrico está sobrecargado con otros artefactos, su electrodoméstico puede dejar de funcionar correctamente. El electrodoméstico debe funcionar en un circuito eléctrico separado de otros artefactos.



## CONOZCA SU PLANCHA

El producto puede diferir levemente de las ilustraciones.

1. Bandeja de goteo apta para lavavajillas (no mostrado)
2. Control de temperatura extraíble
3. EverGood™ revestimiento antiadherente cerámico
4. Asas de tacto frío
5. Inserto de sonda
6. Bandeja de calentamiento
7. Enchufe polarizado (no mostrado)





## SENSOR DE CONTROL DE TEMPERATURA

1. El sensor de control de temperatura es el centro del poder y el cerebro de la plancha eléctrica. Debe tratarlo con cuidado. Las caídas o los golpes pueden modificar su calibración y hacer que la configuración de temperatura no sea precisa.
2. Gire el indicador para seleccionar la temperatura según se indica en la receta.
3. La luz indicadora del sensor de control de temperatura se prenderá al girar el indicador. Cuando alcance la temperatura deseada, la luz se apagará.
4. Deje enfriar la plancha antes de retirar el sensor de control de temperatura.
5. Para limpiar el sensor de control de temperatura, utilice un paño suave y húmedo. Asegúrese de secarlo completamente antes de volver a usarlo.

**NOTA:** El sensor de control de temperatura no es sumergible.

**PRECAUCIÓN:** Utilice el sensor de control de temperatura suministrado con esta plancha. El uso de otros sensores de control de temperatura puede provocar incendio, descarga eléctrica o lesiones.

## ANTES DE UTILIZAR POR PRIMERA VEZ

1. Retire con cuidado la plancha y todos los materiales del embalaje.
2. Coloque la plancha antiadherente sobre una superficie de trabajo limpia y plana.

**NOTA:** Algunas superficies de encimeras o mesas, como Corian® y otras superficies, no están diseñadas para soportar el calor prolongado que produce esta plancha. Recomendamos colocar una base o un posafuentes debajo de la plancha para evitar posibles daños a la superficie. Asegúrese de que los lados y la parte trasera de la plancha se encuentren a 4 pulgadas de distancia como mínimo de paredes, armarios y objetos que se encuentran sobre la mesa o la encimera.

3. Antes de usar por primera vez, consulte las secciones Instrucciones de limpieza y cuidado y Consejos para el cuidado y uso de la superficie antiadherente cerámica de este manual de instrucciones.
4. Antes de cocinar en la plancha por primera vez, lávela con jabón suave para lavar platos, enjuáguela y deje secar.

**NOTA:** LA PLANCHA NO SE PUEDE LAVAR EN EL LAVAVAJILLAS.

5. Inserte la bandeja de goteo en las ranuras que se encuentran debajo del costado de la plancha y colóquela directamente debajo del drenaje de grasa.
6. Lleve el control de la temperatura del sensor a la posición OFF (Apagado) y asegúrese de que quede bien trabada.
7. Cubra la superficie cerámica antiadherente con manteca vegetal antes de calentarla. Si es necesario, retire el exceso de aceite con una servilleta de papel.

## INSTRUCCIONES DE FUNCIONAMIENTO

1. Lleve el sensor de control de temperatura a la posición OFF (Apagado).
2. Enchufe el sensor de control de temperatura firmemente en el tomacorriente del sensor de control de la plancha.
3. Enchufe el cable en un tomacorriente de pared de CA de 120 V.

**IMPORTANTE:** SIEMPRE DEBE ENCHUFAR EL CABLE EN LA PLANCHA PRIMERO Y LUEGO EN EL TOMACORRIENTE DE PARED.

4. Precaliente la plancha durante aproximadamente 10 minutos antes de cocinar. Para precalentarla, lleve el control de temperatura a la opción de temperatura deseada. La luz indicadora del sensor de control de temperatura se prenderá al girar el indicador. Cuando alcance la temperatura deseada, la luz se apagará.
5. Agregue los alimentos y cocínelos según las indicaciones de la receta. Ajuste el indicador de control de temperatura desde 200 °F hasta 400 °F según sea necesario.

**NOTA:** Durante la cocción, la luz se encenderá y se apagará para indicar que la plancha mantiene la temperatura adecuada.

**PRECAUCIÓN:** Las superficies de la plancha están calientes durante el uso.

**PRECAUCIÓN:** NO UTILICE AEROSOL DE COCINA. PUEDEN CAUSAR UNA ACUMULACIÓN EN EL Y PUEDEN AFECTAR AL RENDIMIENTO ANTIADHERENTE CERÁMICO DEL PRODUCTO.

6. Cuando cocine tocino o alimentos que contengan grandes cantidades de grasa, es posible que deba controlar la bandeja de goteo para asegurarse que no esté llena. Retire la bandeja de goteo; vacíela y lávela si es necesario. Consulte el Cuadro de tiempo/temperaturas para obtener información básica de las temperaturas y los tiempos de cocción sugeridos.
7. Cuando finalice la cocción, lleve el control de temperatura a la posición OFF (Apagado). La luz indicadora del sensor de control de temperatura se apagará.
8. Desenchufe el cable del tomacorriente de pared. Deje enfriar la plancha completamente.
9. Retire el sensor de control de temperatura de la plancha. Siga las Instrucciones de limpieza y cuidado descritas en este manual de instrucciones.

## CUADRO DE TIEMPO/TEMPERATURA

ALIMENTOS	TEMPERATURA	TIEMPO	INSTRUCCIONES
Tocino	325 °F - 350 °F	8-14 minutos	Configure la temperatura adecuada; dé vuelta a los alimentos cuando corresponda.
Salchicha	325 °F - 350°F	20-30 minutos	Configure la temperatura adecuada; dé vuelta a los alimentos cuando corresponda.
Tostada Francesa	350 °F	6-10 minutos	Rote los alimentos cuando haya transcurrido la mitad del tiempo de cocción.
Hamburguesa	350 °F	3-14 minutos	Rote los alimentos cuando haya transcurrido la mitad del tiempo de cocción.
Rebanadas de Jamón	350 °F	14-18 minutos	Rote los alimentos cuando haya transcurrido la mitad del tiempo de cocción.
Sándwiches	350 °F	6-10 minutos	Unte mantequilla y dore ambos lados.
Panqueques	400 °F	2-6 minutos	Coloque masa en la plancha; cuando comiencen a aparecer burbujas en la parte superior, dele vuelta.
Chuletas de cerdo	350 °F	20-30 minutos	Dore ambos lados y luego reduzca la temperatura a 325 °F. Rote los alimentos cuando haya transcurrido la mitad del tiempo de cocción.
Bistecs	400 °F – Jugoso 400 °F – A punto 400 °F – Bien cocido	4-6 minutos 7-12 minutos 13-18 minutos	Rote los alimentos cuando haya transcurrido la mitad del tiempo de cocción.

## GUÍA PARA COCINAR DEL DEPARTAMENTO DE AGRICULTURA DE LOS ESTADOS UNIDOS (UNITED STATES DEPARTMENT OF AGRICULTURE, USDA)

**NOTA:** El Departamento de Agricultura de los Estados Unidos recomienda cocinar las carnes rojas y las aves a las temperaturas internas que se indican a continuación para asegurarse de que cualquier bacteria nociva muera. La carne de pavo y de pollo molida debe cocinarse a una temperatura interna de 165 °F / 74 °C y la carne de vaca, de ternera, de cordero y de cerdo molida debe cocinarse a una temperatura interna de 160 °F / 71 °C. El pollo y el pavo enteros deben cocinarse a una temperatura interna de 180 °F / 82 °C; la pechuga debe cocinarse a 170 °F / 77 °C. El ganso y el pato deben cocinarse a una temperatura interna de 180 °F / 82 °C. La carne fresca de vaca, de ternera y de cordero, etc. debe cocinarse a una temperatura interna de, al menos, 145 °F / 63 °C. El cerdo fresco debe cocinarse a una temperatura interna de, al menos, 160 °F / 71 °C. Cuando se recalienten carnes rojas y productos avícolas, también se deberán cocinar a una temperatura interna de 165 °F / 74 °C.

### INSTRUCCIONES DE MANTENIMIENTO PARA EL USUARIO

Este electrodoméstico requiere poco mantenimiento. No contiene piezas que puedan ser reparadas por el usuario. No intente repararlo usted mismo. Todo mantenimiento para el que sea necesario desarmar el aparato, aparte de la limpieza, debe ser realizado por un técnico autorizado para reparar electrodomésticos.

### INSTRUCCIONES DE LIMPIEZA Y CUIDADO

**PRECAUCIÓN:** No sumerja el cable, el enchufe ni el sensor de control de temperatura en agua ni en ningún otro .

**PRECAUCIÓN:** Para prevenir quemaduras accidentales, deje que la plancha se enfríe completamente antes de limpiarla.

1. Cuando finalice la cocción, apague y desenchufe el cable del tomacorriente de pared. Deje enfriar la plancha.
2. Retire el sensor de control de temperatura de la plancha.

**PRECAUCIÓN:** El sensor puede estar caliente después del uso. Déjelo enfriar antes de manipularlo.

3. Si es necesario, limpie la caja y el sensor de control de temperatura con un paño suave y limpio. Seque el sensor de control de temperatura completamente. Colóquelo a un lado.

**PRECAUCIÓN:** El sensor de control de temperatura no es sumergible.

4. Retire la bandeja de goteo y vacíela. Lave la plancha y la bandeja de goteo con agua y jabón; enjuáguelas y séquelas completamente.
5. Para lavar la plancha a mano, enjuáguela en agua caliente séquela complemente.

**PRECAUCIÓN:** El sensor y el receptáculo del sensor deben estar completamente secos antes de utilizarlos.



6. Afloje las partículas de alimentos rebeldes con una esponja plástica. Evite restregar el acabado antiadherente, ya que esto puede hacer que se raye la superficie. No utilice lana de acero, esponjas metálicas ni productos de limpieza abrasivos en ninguna parte de la plancha.

### **CONSEJOS PARA EL CUIDADO Y USO DE LA SUPERFICIE ANTIADHERENTE CERÁMICA**

- Para evitar que se raye la superficie antiadherente, no apile objetos sobre la parrilla o las placas de cocción de la pancha.

**PRECAUCIÓN:** NO UTILICE AEROSOLES DE COCINA. PUEDEN CAUSAR UNA ACUMULACIÓN EN LAS PLACAS DE COCCIÓN Y PUEDE AFECTAR EL RENDIMIENTO ANTIADHERENTE CERÁMICO DEL PRODUCTO.

- Para obtener mejores resultados de cocción, use la temperatura media a baja. Las temperaturas muy elevadas pueden causar decoloración y disminuir la vida útil de la superficie antiadherente. Si es necesario usar temperaturas más altas, precaliente la plancha a temperatura media durante algunos minutos.
- Para mejores resultados y preservar la superficie antiadherente, utilice utensilios de nylon, plástico, madera o caucho. Nunca corte alimentos sobre la plancha.
- Quite las manchas rebeldes con una esponjilla de plástico y detergente líquido suave para vajilla; NO UTILICE LANA DE ACERO, ya que dañará la superficie antiadherente de las placas de cocción.

### **PASOS PARA LA ELIMINACIÓN DE MANCHAS Y EL CUIDADO ADECUADO DE SU REVESTIMIENTO CERÁMICO ANTIADHERENTE**

1. Identifique las áreas manchadas en la superficie de cocción y coloque bicarbonato de sodio sobre las manchas.
2. Agregue agua para humedecer el bicarbonato de sodio y obtener una pasta con textura.
3. Deje reposar la pasta durante algunos minutos sobre las manchas (no más de una hora).
4. Frote con un paño húmedo y suave o pase suavemente una esponjilla de plástico, limpie y seque bien.

**NOTA:** No frote enérgicamente cuando utilice un estropajo de plástico y NUNCA utilice un estropajo metálico, ya que podría dañar el revestimiento antiadherente cerámico.

5. Repita el ciclo una vez más si es necesario. El rendimiento y la propiedad antiadherente del revestimiento cerámico antiadherente no se verán afectados por las manchas.



## GARANTÍA LIMITADA DE DOS AÑOS

Mediante la presente, SENSIO Inc. garantiza que, durante el plazo de **DOS AÑOS** a partir de la fecha de compra, este producto no presentará defectos mecánicos en el material ni en la mano de obra, y durante 90 días, no los presentará en las piezas no mecánicas. A su entera discreción, SENSIO Inc. reparará o reemplazará el producto que resulte defectuoso, o emitirá un reembolso por el producto durante el plazo de garantía.

Esta garantía es válida únicamente para el comprador minorista original a partir de la fecha de compra minorista inicial y no es transferible. Conserve el recibo de compra original, ya que se exige una prueba de compra para obtener la validación de la garantía. Las tiendas minoristas no tienen derecho a alterar, modificar ni corregir de ninguna manera los términos y condiciones de la garantía.

### EXCLUSIONES:

La garantía no cubre el desgaste normal de las piezas ni el daño ocasionado por cualquiera de las siguientes causas: uso negligente del producto, uso de un voltaje o corriente incorrectos, mantenimiento de rutina inadecuado, uso contrario al de las instrucciones de funcionamiento, desarmado, reparación o alteración a cargo de personas que no sean miembros del personal calificado de SENSIO Inc. Asimismo, la garantía no cubre actos de la naturaleza, como incendios, inundaciones, huracanes o tornados.

SENSIO Inc. no asumirá responsabilidad por daños incidentales o resultantes ocasionados por la violación de cualquier garantía expresa o implícita. Salvo en la medida en que lo prohíban las leyes aplicables, cualquier garantía implícita de comerciabilidad o aptitud para un propósito particular se limita temporalmente a la duración de la garantía. Algunos estados, provincias o jurisdicciones no permiten la exclusión ni la limitación de daños incidentales o resultantes, o limitaciones sobre la duración de una garantía implícita y, por lo tanto, es posible que las exclusiones o limitaciones mencionadas no le correspondan. La garantía cubre derechos legales específicos que pueden variar de un estado, una provincia o una jurisdicción a otros.

### CÓMO OBTENER EL SERVICIO DE GARANTÍA:

Debe comunicarse con el Servicio de atención al cliente a nuestro número telefónico gratuito: 1-866-832-4843. Un representante del Servicio de atención al cliente intentará resolver los problemas referidos a la garantía por teléfono. Si este no puede resolver el problema, le proporcionarán un número de caso y le solicitarán que devuelva el producto a SENSIO Inc. Adhiera una etiqueta al producto que incluya: su nombre, dirección, número telefónico de contacto durante el día, número de caso y descripción del problema. Además, incluya una copia del recibo de compra original. Envuelva cuidadosamente el producto etiquetado con el recibo de compra, y envíelo (con el envío y el seguro prepagados) a la dirección de SENSIO Inc. SENSIO Inc. no asumirá obligación ni responsabilidad alguna por el producto devuelto que esté en el trayecto hacia el Centro de servicio al cliente de SENSIO Inc.





For customer service questions or comments  
Dudas o comentarios contactar el departamento de servicio al cliente  
1-866-832-4843 / [help@bellahousewares.com](mailto:help@bellahousewares.com)



Sensio Inc.  
dba Made by Gather™  
New York, NY 10016/USA

35111\_R3