

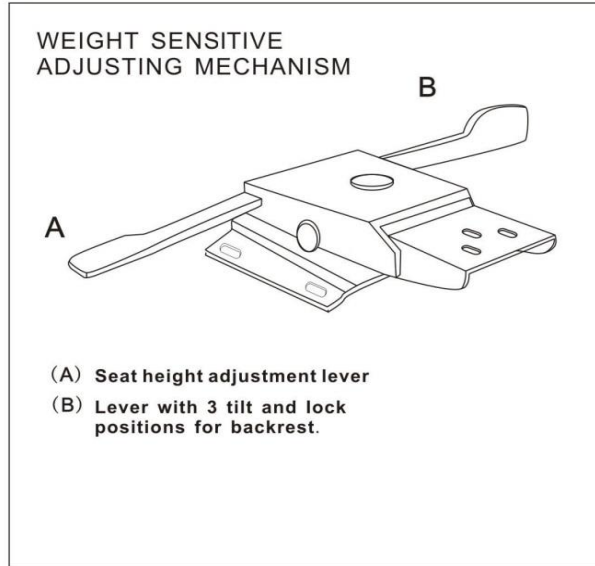
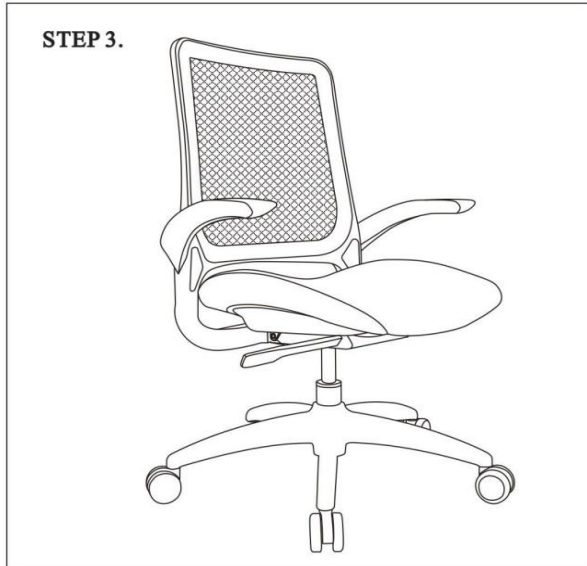
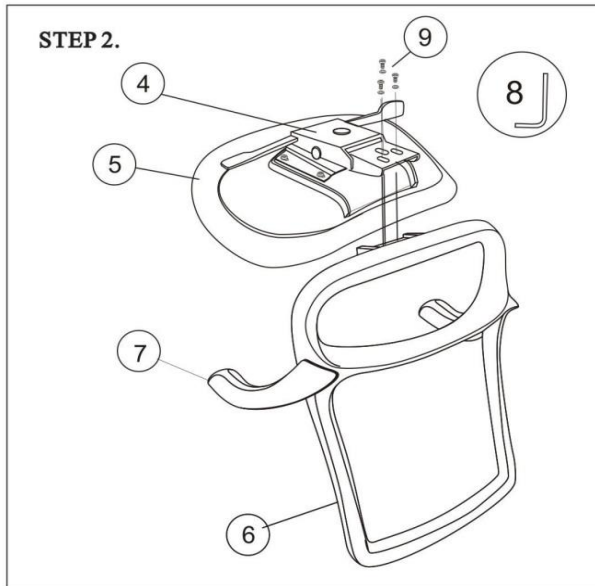
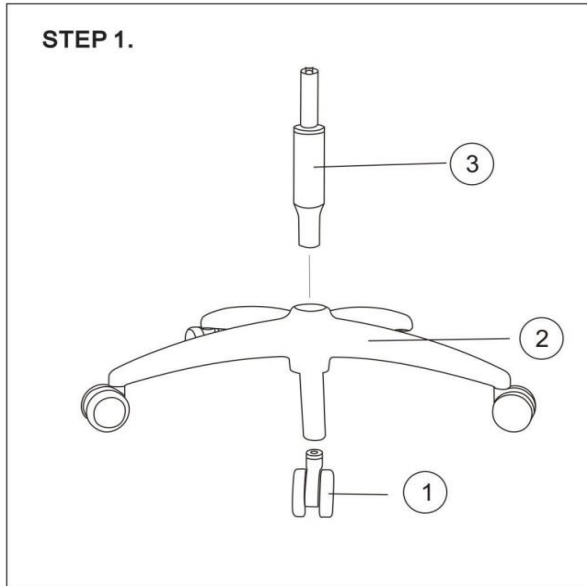
**eurotech**

# ASSEMBLY INSTRUCTION

Remove all items from carton. Verify all pieces before assembly.  
Keep this page for future reference.

**PART LIST**

KEY QTY DESCRIPTION			KEY QTY DESCRIPTION		
1	5	Caster	6	1	Backrest
2	1	Base	7	2	Armrests Pre-Assembled
3	1	Cylinder	8	1	M6 Size Allen Wrench
4	1	Mechanism	9	3	Backrest Bolt (8*25mm) + Washers
5	1	Seat			



**PREVENTIVE MAINTENANCE AND WARNING!**

- USE THIS PRODUCT ONLY FOR SEATING ONE PERSON AT A TIME.
- DO NOT USE THIS CHAIR AS A STEP STOOL/LADDER.
- DO NOT SIT ON ANY PART OF THE CHAIR EXCEPT THE SEAT.
- DO NOT USE CHAIR ON UNEVEN FLOOR SURFACES.
- DO NOT USE CHAIR UNLESS ALL BOLTS, SCREWS AND KNOBS ARE TIGHTENED.
- AT LEAST EVERY SIX MONTHS, PLEASE MAKE SURE ALL BOLTS, SCREWS AND KNOBS ARE FULLY TIGHTENED TO ENSURE STABILITY.
- IF ANY PARTS ARE MISSING, BROKEN, DAMAGED OR WORN, STOP USE OF THE PRODUCT UNTIL REPAIRS ARE MADE USING FACTORY AUTHORIZED PARTS.
- DISPOSE OF PACKAGING PROPERLY. PLASTIC BAG IS NOT A TOY. DO NOT USE PLASTIC BAG AS HEAD COVERING-IT MAY CAUSE SUFFOCATION.
- FAILURE TO FOLLOW THESE WARNINGS COULD RESULT IN SERIOUS INJURY.

**MF22-HAWK**

