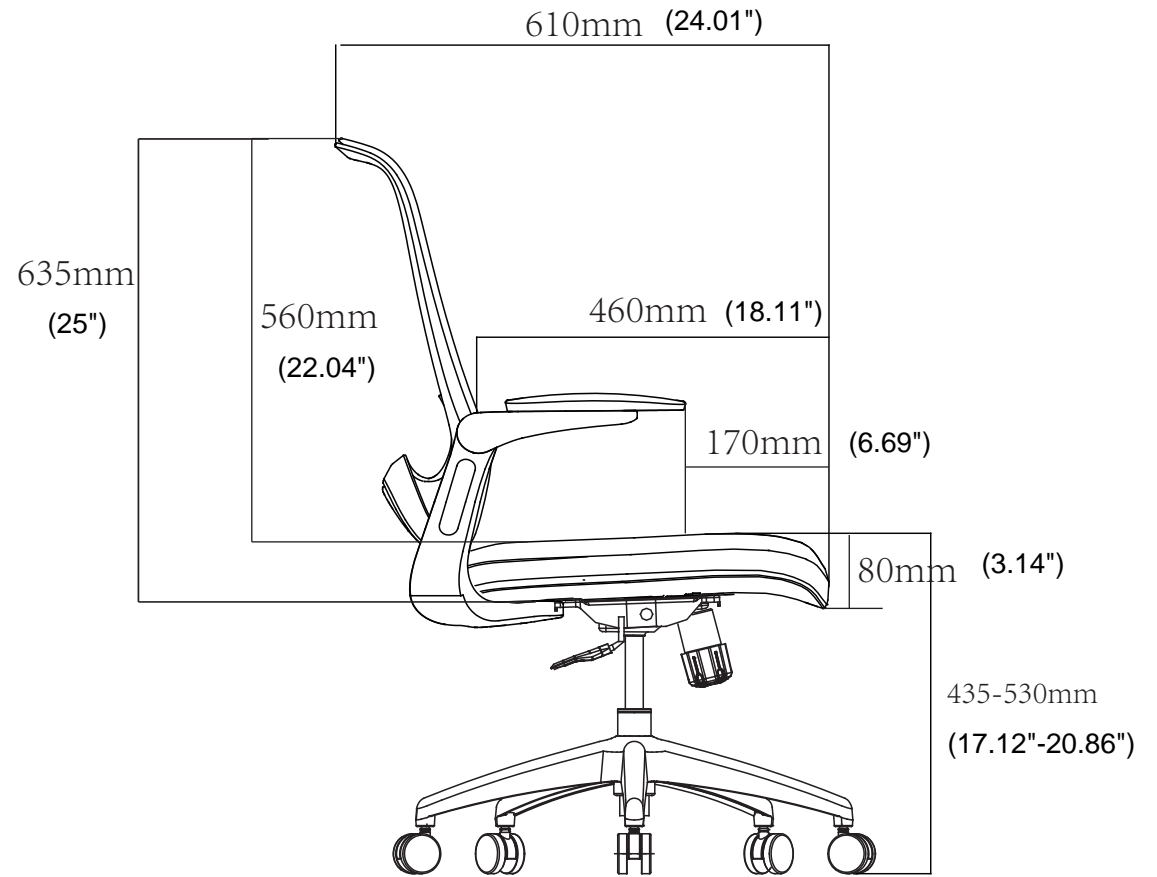
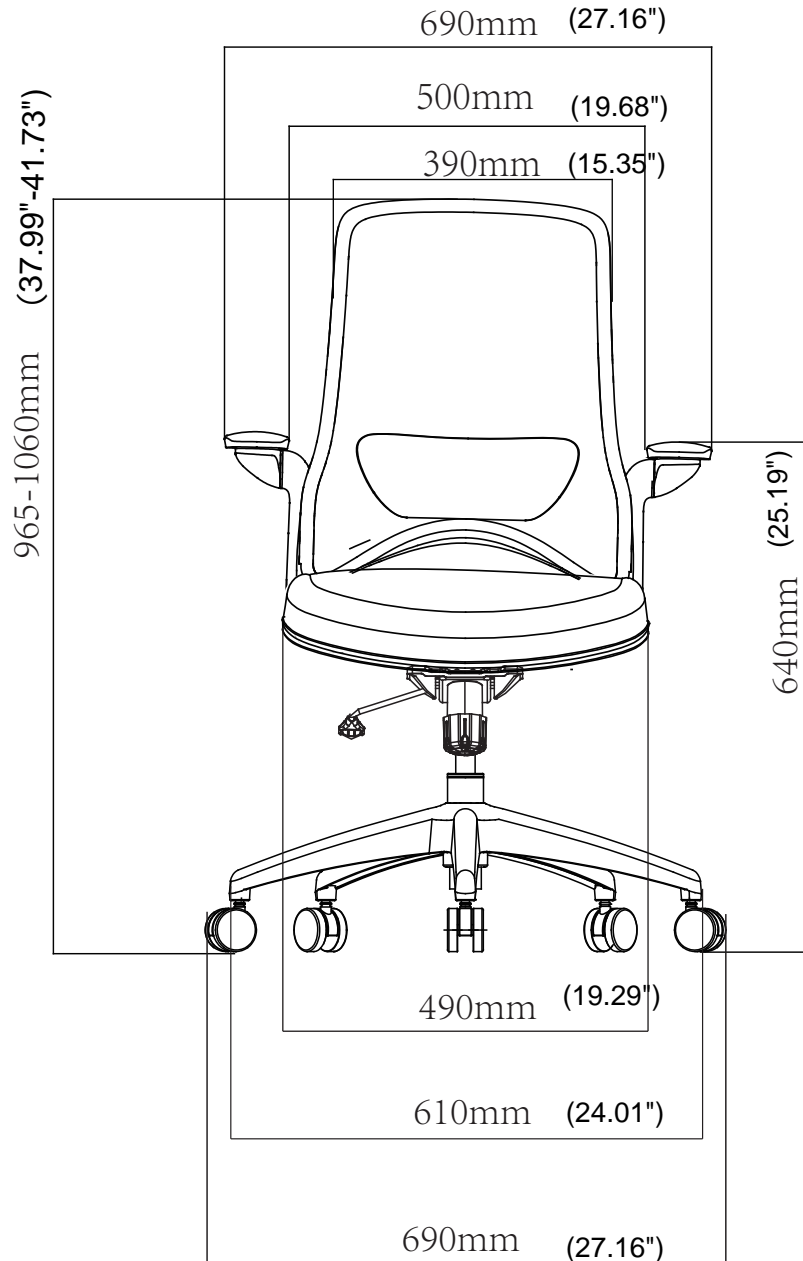


RYZE

Date:2023/07



Chair N.W.:11.8KGS /26.01lbs
Chair G.W.:12.8KGS/28.21lbs

Cylinder:100mm Stroke
60mm Taper

From floor to the bottom of cylinder:60mm