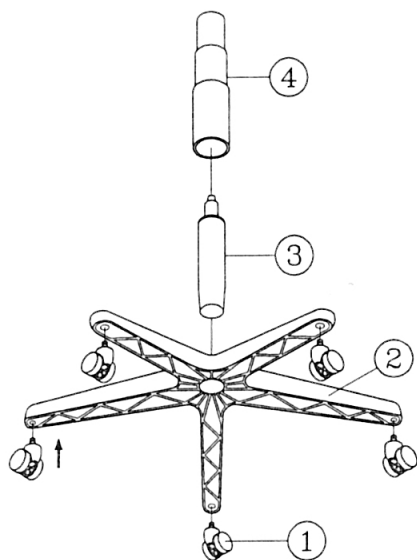


Remove all items from the carton . Verify all pieces before assembly.

PART LIST

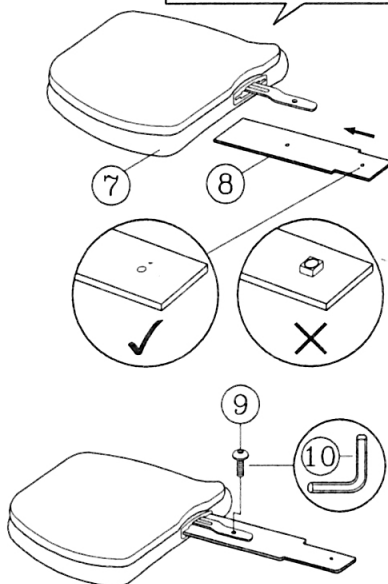
KEY QTY	DESCRIPTION	KEY QTY	DESCRIPTION	KEY QTY	DESCRIPTION	
1	5	Caster	7	1	Backrest	
2	1	Base	8	1	Backrest Post	
3	1	Seat Post	9	1	Backrest / Ratchet Screw (8*10mm)	
4	1	Seat Post Cover	10	1	M5 Size Allen Wrench	
5	1	Mechanism	11	1	M6 Size Allen Wrench	
6	1	Seat	12	1	Backrest / Mechanism Bolt (10*25mm)+Washers	
				13	2	Armrest
				14	2	Arm Width Adjustment Knob + Washers

STEP 1.

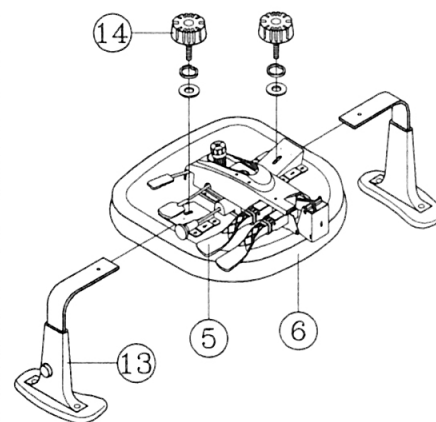


STEP 2.

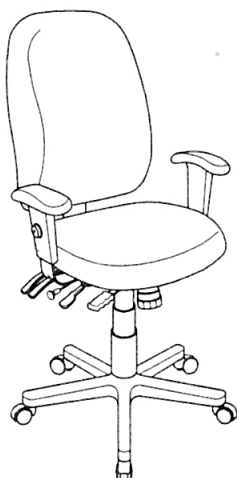
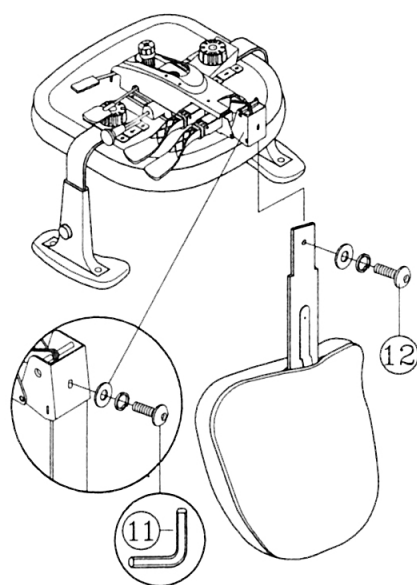
ATTENTION !!
Place backrest face down to attach backrest post.



STEP 3.

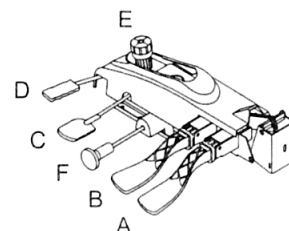


STEP 4.



Ratchet Back Height Adjustment

To raise the back, slowly lift the back up until you hear a series of 4 to 5 clicks. Each click represents a position where the back will lock into place.
To lower the back, raise the back all the way up until tension is released - the back will then return to the lowest position without stopping.
Raise back up to desired position.



- (A) Back angle adjustment lever.
- (B) Combination seat / back angle adjustment lever with infinite lock.
- (C) Seat height adjustment lever.
- (D) Forward tilt lever
- *While seated, lift lever B and then lean back to activate locking mechanism;
- *Pull lever D backward to allow seat to tilt forward- or -push lever D forward to straighten seat;
- *To lock in desired position, push lever B downward.
- (E) Tension control knob-Turn clockwise to increase tension and counter-clockwise to decrease tension.
- (F) Sliding seat:
Seat depth adjusts for different user leg lengths.

PREVENTIVE MAINTENANCE AND WARNING!

- USE THIS PRODUCT ONLY FOR SEATING ONE PERSON AT A TIME.
- DO NOT USE THIS CHAIR AS A STEP STOOL / LADDER.
- DO NOT SIT ON ANY PART OF THE CHAIR EXCEPT THE SEAT.
- DO NOT USE CHAIR ON UNEVEN FLOOR SURFACES.
- DO NOT USE CHAIR UNLESS ALL BOLTS, SCREWS AND KNOBS ARE TIGHTENED.
- EVERY SIX MONTHS, PLEASE MAKE SURE ALL BOLTS, SCREWS AND KNOBS ARE FULLY TIGHTENED TO ENSURE STABILITY.
- IF ANY PARTS ARE MISSING, BROKEN, DAMAGED OR WORN, STOP USE OF THE PRODUCT UNTIL REPAIRS ARE MADE USING FACTORY AUTHORIZED PARTS.
- DISPOSE OF PACKAGING PROPERLY. PLASTIC BAG IS NOT A TOY. DO NOT USE PLASTIC BAG AS HEAD COVERING - IT MAY CAUSE SUFFOCATION.
- FAILURE TO FOLLOW THESE WARNINGS COULD RESULT IN SERIOUS INJURY.
- NOTE:SOME SCREWS MAY BE PREASSEMBLED. IF PREASSEMBLED, IGNORE ASSEMBLY INSTRUCTIONS.