



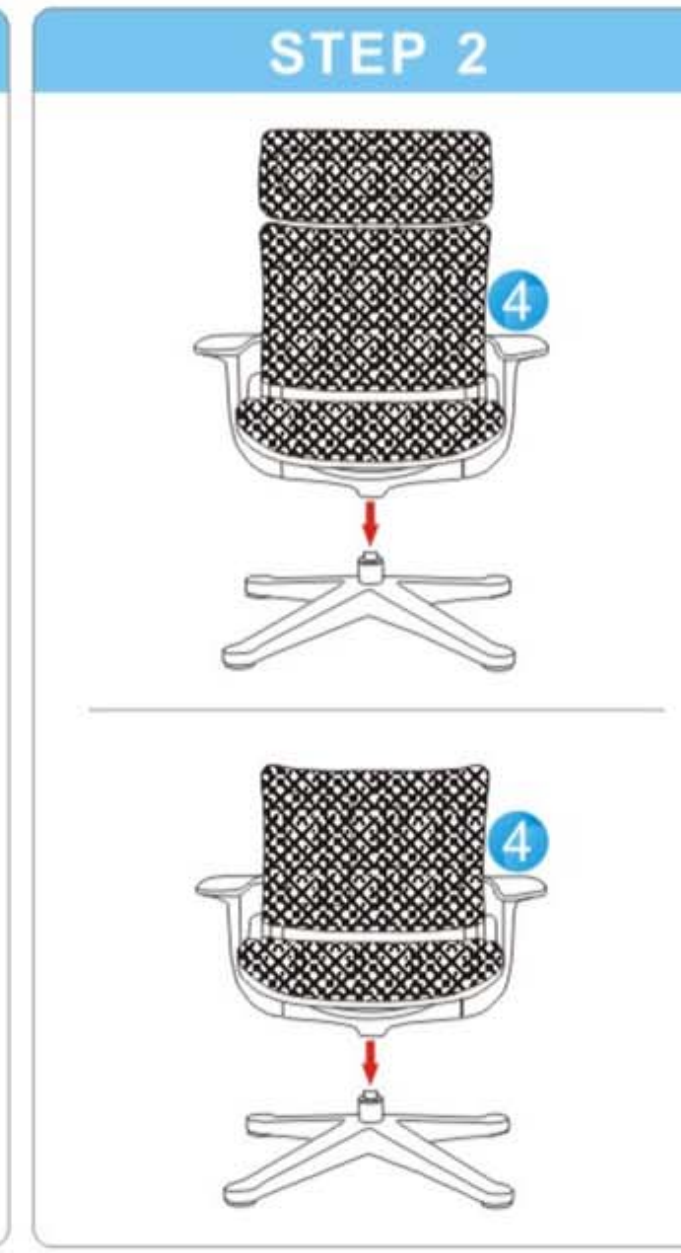
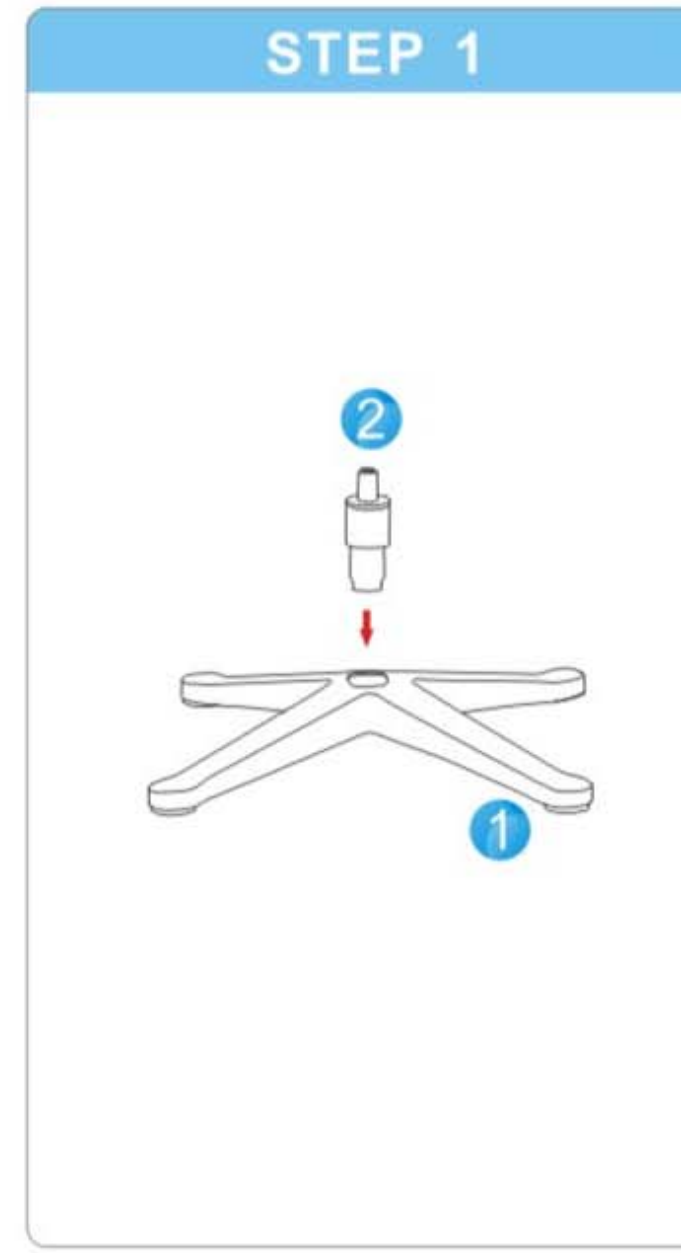
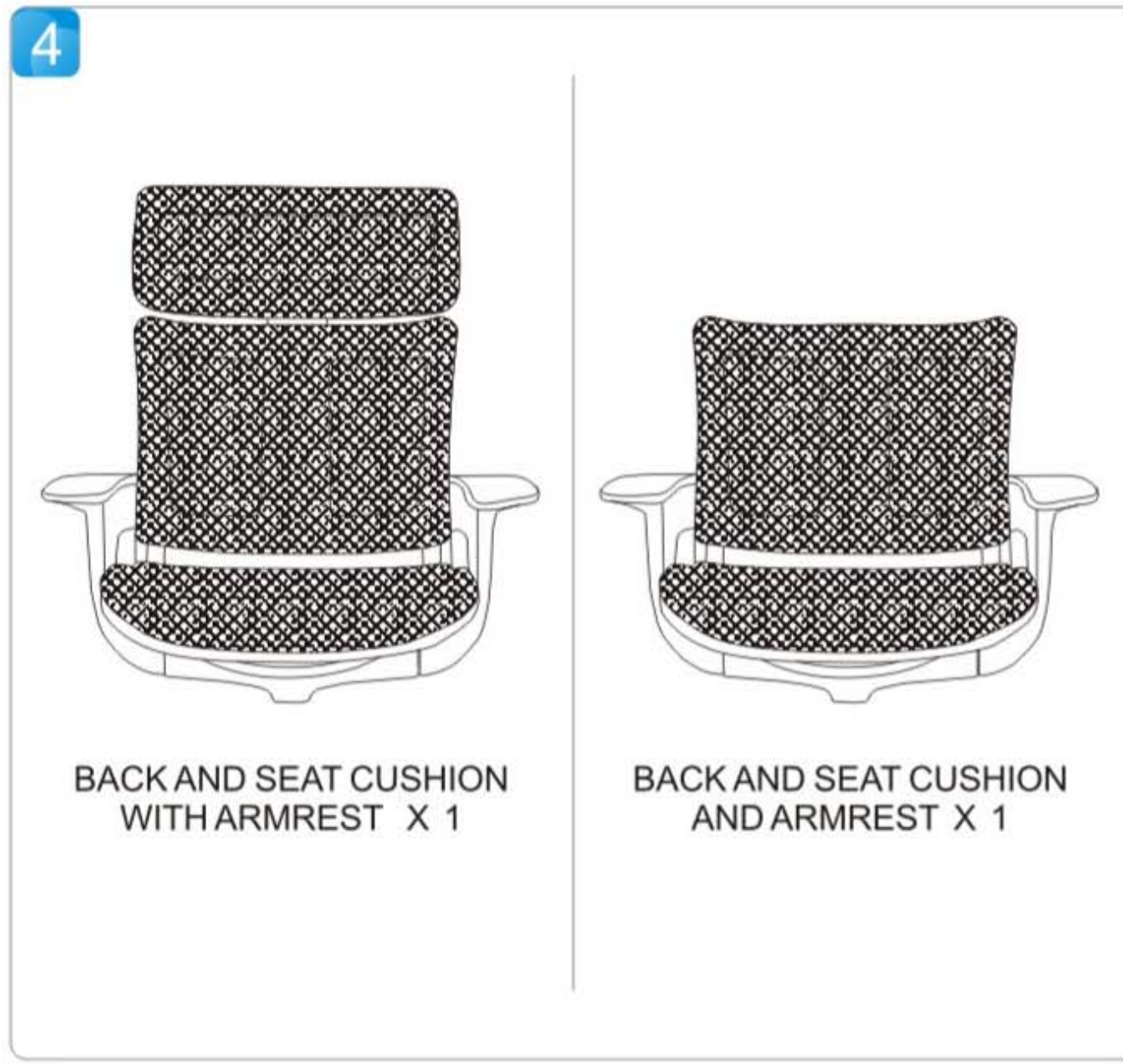
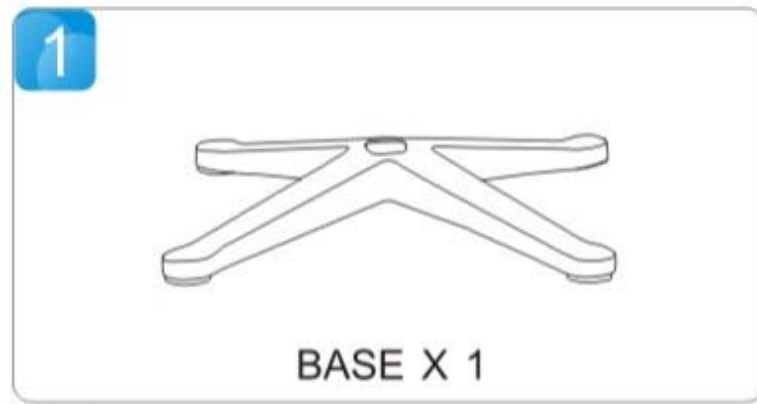
www.eurotechseating.com
1-800-637-0005

User Manual



Contents

Parts List	2
Product Assembly Instructions	3
Function Controls	4
Features	5
Headrest Height Adjustment	6
Stage Less Memory Position Locking	7
iPhone Speaker Box	8
Armrest Height & Width Adjustment	9
Ottoman Adjustment Instructions	10
Notebook Stand Feature	12
Instructions for Unfolding	13
Instructions for Folding	16
Our Promise... Warranty	19
Care & Maintenance Of Upholstery Leather	20



-R Stage less memory position locking on backrest.



Allow user to sit and adjust the best comfort recline position, automatically restore to original position, maintain uniformity of working and home environment.



only available for the version with recline function.

+H Headrest height adjustment (optional)

-R Stage less memory position locking on backrest. (optional)

-I iPhone speaker box operation Instruction (accessory)

-A Armrest width and height adjustment (accessory)

-O Ottoman height adjustment (accessory)





Hold the frame of headrest with both hands, pull up or down to adjust the height. The adjustable range would be 100mm.



The most suitable height could be achieved when one's scruff is fully supported by the headrest.

(Only available for optional version)



Push the backwards tilting handle with right hand to **Unlock position**, unlock the backrest tilting when hear the "click" sound; Then recline to the desired position,




push the handle forward to **Lock** position, the backrest tilt angle can be stopped in the ideal position.



Stage less memory position locking, allow user to sit and adjust the best comfortable reclining position, when user left the chair, the backrest can restore to the original position automatically to keep the uniformity working and home environment.

(Only available for optional version)



Press the music logo  of the box to open the box, and have your iPhone / iPad or other music player connected with the speaker cable. Then put your device into box and push box inward to close the box.

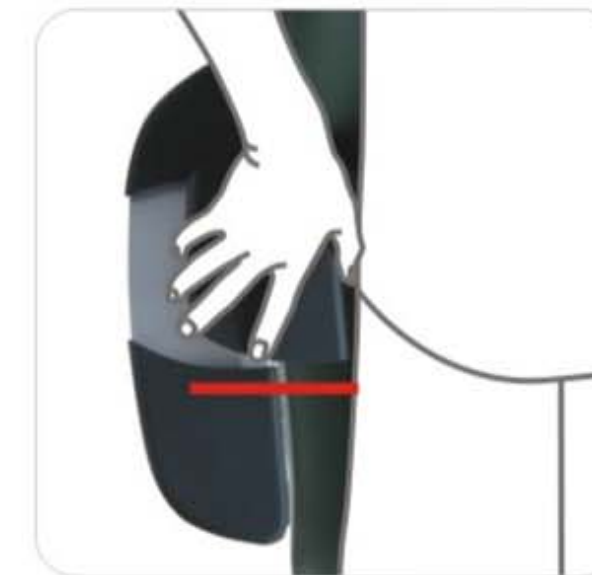


Attached with the free electricity Philips stereo surrounding speaker system, this can be suited with iPhone / iPad etc. Music player.

(Accessory)



Pull up the armrests directly to adjust the height, the adjustable height is 45mm. When it goes to the top point, the armrests will fall to the original position automatically.



Hold the arm pads and move inside, the width of armrest can be adjusted. The adjustable range is 40 mm. This feature allow you to adjust personal comfort support while you using Notebook stand on this chair.

(Accessory)

Nuvem -O Ottoman Adjustment Instructions



Pull up the frame of the ottoman directly to adjust the height of ottoman. Its range of height is 50mm. When it goes to the top height, the ottoman will fall down to the original position automatically.

(Accessory)





1 Press button **A** with your right hand.



3 Turn up the support board by rotating it upwards to 90°.



2 Rotate the support board forwards with your left hand until the "click" sound can be heard.



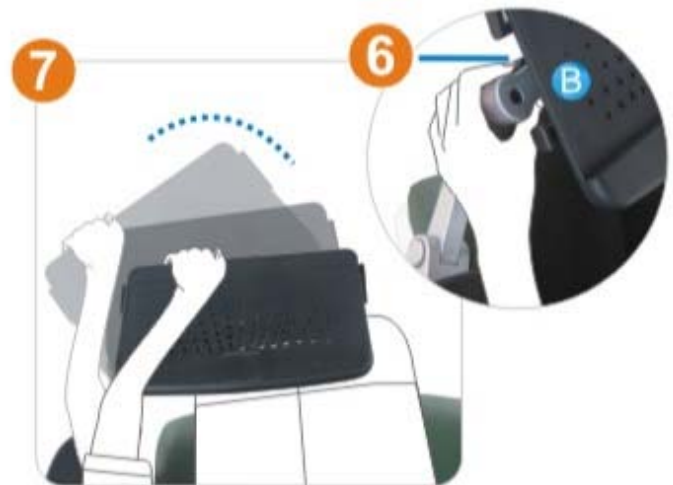
4 Open the support pole locking system by pushing the button **B** as the direction of the arrow.



Use your right hand hold button **B** and turn the support board rightwards with 135°.



Push the support board rightwards and fix it in the most comfortable position.



Re-press the locking button **B** to adjust the support pole in a suitable angle, it could be adjusted with 45° range and there are three positions locking.



Adjust the support board's angle when you change the backrest reclining angle.

Press button **C** and rotate the support board for adjusting the best position according to different tilt sitting posture.



Pull the computer gears bar out.



Rotate the gears bar upwards and undo it.



Pull upward the gear bar to put the notebook on the support board.



Put the notebook under the computer gears bar, adjust the computer gears bar to tighten the Notebook.



The left picture shows the notebook is placed well on the notebook stand.

And the notebook stand is adjusted to suit personal comfort.



Pull the computer gears bar outwards with both hands, take the notebook out as the arrows shows in the picture.



Press the gears bar towards horizontal direction.



Rotating downwards and withdrawal the computer gears bar.



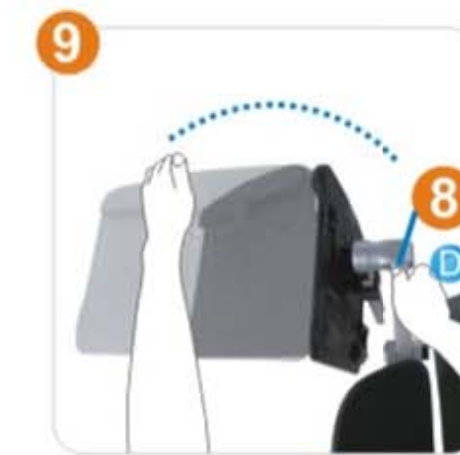
Press and hold button **C**, rotate and adjust the angle to the first horizontal position.



Push the support board to the left most position.



Rotate the support board towards left to 180° horizontally.



Press button **D** and rotate the support board downwards to 90°.



Press button **A** and rotate the support board backwards by 90° with left hand, then the support stand is locked automatically with a “click” sound.



Contributions to LEED CI 2.0

Nuvm may contribute to LEED credits due to its returnable/ reusable packaging, durability, pre-consumer recycled content, and post-consumer content. Depending on location, Nuvm also may contribute to a LEED Regional Materials credit.



5-year warranty on internal mechanism

We guarantee the internal mechanism of Nuvm for a period of 5 years from the date of purchase of the product. The 5-year guarantee covers the workmanship of internal aluminum and plastic frame. It does not cover fading of material color, damage to leather or any faults or damage caused by the use of the product other than in accordance with the manufacturer's recommendations, as well as any faults or damage arising from any repairs made by any persons not authorized by the manufacturer. All other accessories only have one year full warranty.

Nuvm Care & maintenance of Upholstery Leather

The leather on Nuvm is synonymous with luxury, class and culture, this leather is a durable and practical covering. It will not readily burn or melt, unlike most fabric or vinyl, it's extremely difficult to puncture. Unlike imitation leathers, genuine leather will not become hot or sticky in summer, nor cold and clammy in winter. Because it is a natural product, hides may have different patterns and over the years leather will take patina, giving it a distinct look, making each piece of Nuvm a unique item. Being a natural product, it needs little or no care during normal use. However, in the event that you have a spot or spill, the following cleaning hints should help.

Spots and spills: Blot liquid immediately with a clean absorbent cloth or sponge. Dry with a clean towel and allow to air dry. Avoid rubbing during the cleaning process.

Stubborn Spots and Stains: Use a mild solution of ivory soap and clean, lukewarm water. Apply the soap to a clean, wet sponge, then rinse well and let air dry naturally. Always try the cleaning method in a hidden area first to be sure its color will not run or fade with washing or wear.

Never use saddle soap, abrasive cleanser, soap, furniture polish oil, varnish or ammonia water to clean your Nuvm chair. Most liquids will be initially repelled by the leather, but if left to stand over an extended period of time, they will be absorbed. Do not use acids or alkaline cleaning agents. Never use stain remover, shoe polish, solvents, floor polish, cosmetics or any other harsh cleaning agents. Do not use scouring agents, steel wool, pan scrubs or similar products. Using sharp objects, e.g. blades or knives, can damage (scratch) the surface.

Daily care: Avoid cosmetics and body care products touching the leather; Keep your pets away from the leather; Keep at least 30cm away from any source of heat; Do not place the chair in direct sunlight.

Cleaning instruction for the mesh.

Use clean water, mild household or hospital detergents. **DO NOT** use solvents or petroleum based cleaners.