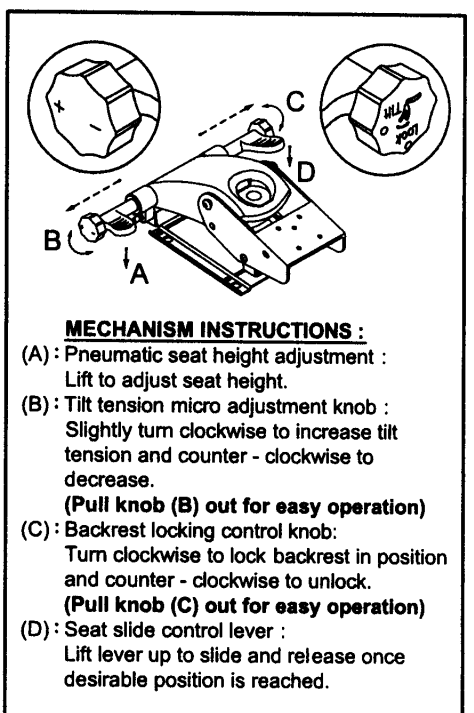
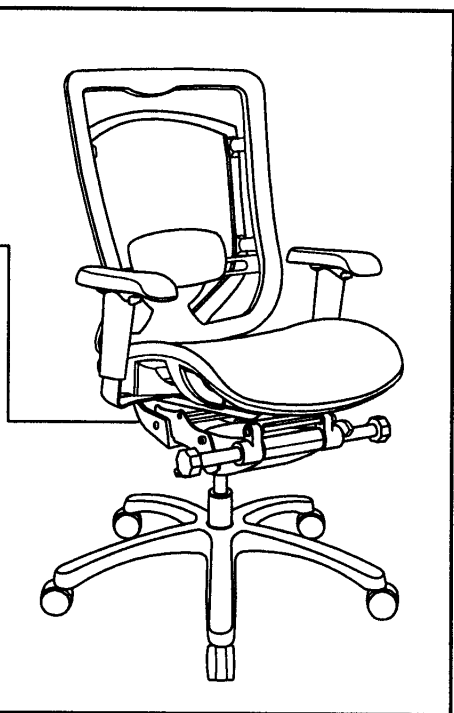
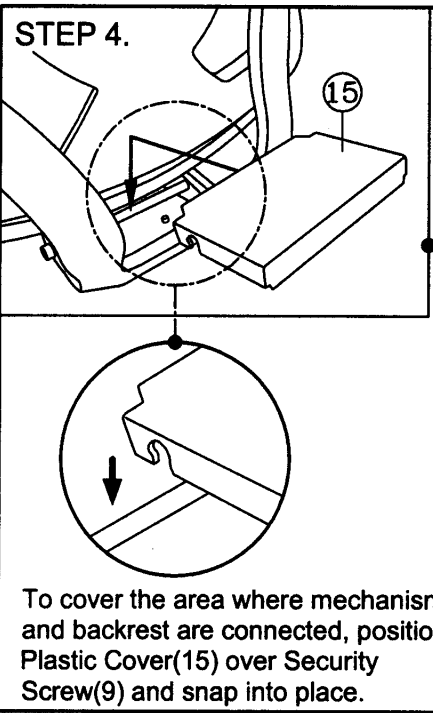
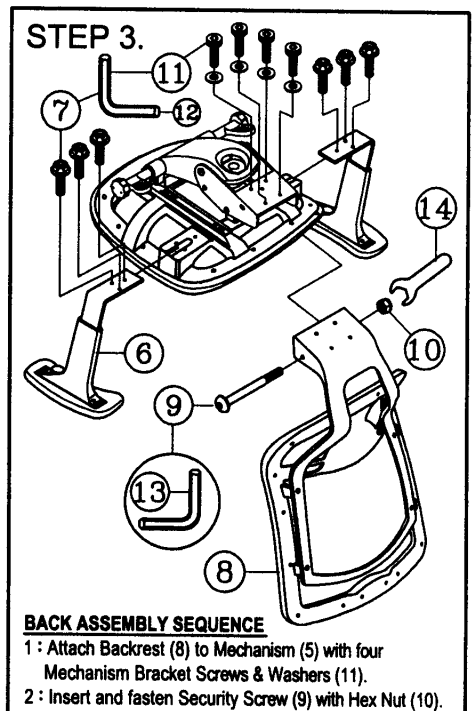
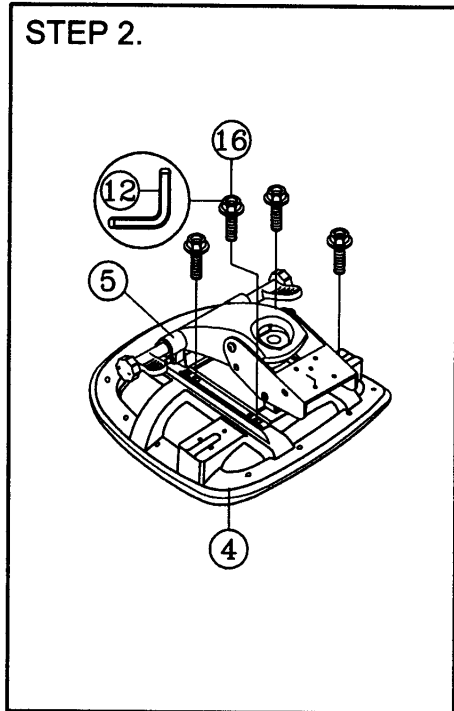
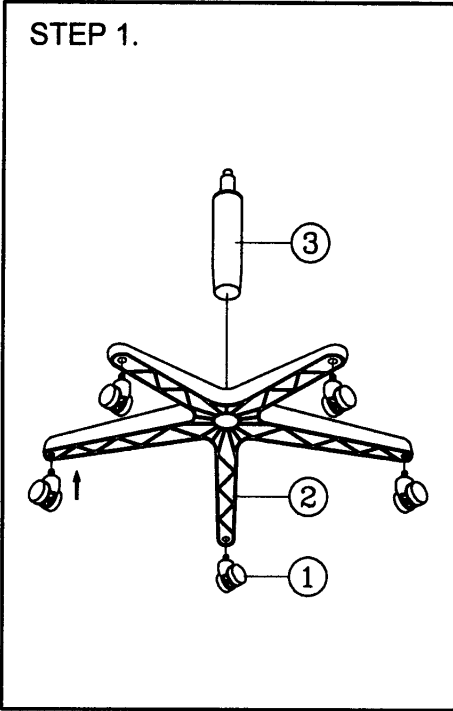


Remove all items from the carton . Verify all pieces before assembly.

KEY QTY	DESCRIPTION	KEY QTY	DESCRIPTION	KEY QTY	DESCRIPTION		
1	5	Caster	7	6	Armrest Screw 6x24mm		
2	1	Base	8	1	Backrest		
3	1	Seat Post	9	1	Security Screw 10x205mm		
4	1	Seat	10	1	Hex Nut		
5	1	Mechanism	11	4	Mechanism Bracket Screw 8x25mm + Washer		
6	2	Armrest					
					12	1	M5 Size Allen Wrench
					13	1	M6 Size Allen Wrench
					14	1	17mm Allen Wrench
					15	1	Plastic Cover
					16	4	Mechanism Screw 6x24mm



PREVENTIVE MAINTENANCE AND WARNING!

- USE THIS PRODUCT ONLY FOR SEATING ONE PERSON AT A TIME.
- DO NOT USE THIS CHAIR AS A STEP STOOL / LADDER.
- DO NOT SIT ON ANY PART OF THE CHAIR EXCEPT THE SEAT.
- DO NOT USE CHAIR ON UNEVEN FLOOR SURFACES.
- DO NOT USE CHAIR UNLESS ALL BOLTS, SCREWS AND KNOBS ARE TIGHTENED.
- EVERY SIX MONTHS, PLEASE MAKE SURE ALL BOLTS, SCREWS AND KNOBS ARE FULLY TIGHTENED TO ENSURE STABILITY.
- IF ANY PARTS ARE MISSING, BROKEN, DAMAGED OR WORN, STOP USE OF THE PRODUCT UNTIL REPAIRS ARE MADE USING FACTORY AUTHORIZED PARTS.
- DISPOSE OF PACKAGING PROPERLY. PLASTIC BAG IS NOT A TOY. DO NOT USE PLASTIC BAG AS HEAD COVERING - IT MAY CAUSE SUFFOCATION.
- FAILURE TO FOLLOW THESE WARNINGS COULD RESULT IN SERIOUS INJURY.
- NOTE:SOME SCREWS MAY BE PREASSEMBLED. IF PREASSEMBLED, IGNORE ASSEMBLY INSTRUCTIONS.
- PLEASE KEEP THIS PAGE FOR FUTURE REFERENCE.