

eurotech

LAU1

ASSEMBLY INSTRUCTIONS
OPERATING INSTRUCTIONS
WARRANTY



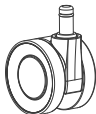
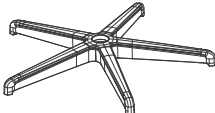
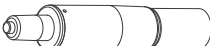
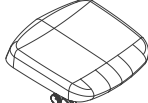

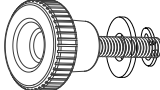
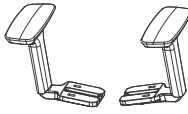
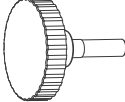
CUSTOMER SERVICE: parts@raynorgroup.com
CUSTOMER SERVICE: 1-800-637-0005
www.eurotechseating.com

ASSEMBLY INSTRUCTIONS

LAU1

Remove all items from the carton. Verify all pieces before assembly.

PARTS LIST

Key	Description	Part	Qty.
A	Caster		5 pcs
B	Star Base		1 pcs
C	Cylinder		1 pcs
D	Mechanism & Seat Cushion		1 pcs
E	Backrest & Lumbar Support		1 pcs
F	Hand wheel for back (M10*45,yellow including washer and spring washer)		1 pcs
G	Armrests - 1 Left & 1 Right		2 pcs
H	Hand wheel for arm		2 pcs

PREVENTIVE MAINTENANCE AND WARNING!

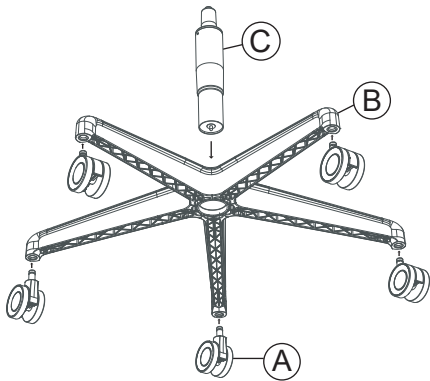
- USE THIS PRODUCT ONLY FOR SEATING ONE PERSON AT A TIME.
- DO NOT USE THIS CHAIR AS A STEP STOOL / LADDER.
- DO NOT SIT ON ANY PART OF THE CHAIR EXCEPT THE SEAT.
- DO NOT USE CHAIR ON UNEVEN FLOOR SURFACES.
- DO NOT USE CHAIR UNLESS ALL BOLTS, SCREWS AND KNOBS ARE TIGHTENED.
- **EVERY SIX MONTHS, PLEASE MAKE SURE ALL BOLTS, SCREWS AND KNOBS ARE FULLY TIGHTENED TO ENSURE STABILITY.**
- IF ANY PARTS ARE MISSING, BROKEN, DAMAGED OR WORN, STOP USE OF THE PRODUCT UNTIL REPAIRS ARE MADE USING FACTORY AUTHORIZED PARTS.
- DISPOSE OF PACKAGING PROPERLY. PLASTIC BAG IS NOT A TOY. DO NOT USE PLASTIC BAG AS HEAD COVERING – IT MAY CAUSE SUFFOCATION.
- FAILURE TO FOLLOW THESE WARNINGS COULD RESULT IN SERIOUS INJURY.
- NOTE: SOME SCREWS MAY BE PREASSEMBLED. IF PREASSEMBLED, IGNORE ASSEMBLY INSTRUCTIONS.

ASSEMBLY INSTRUCTIONS

LAU1

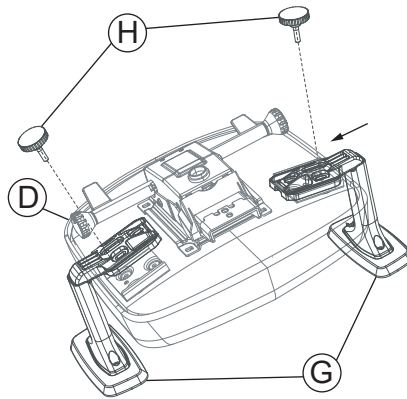
Remove all items from the carton. Verify all pieces before assembly.

STEP 1



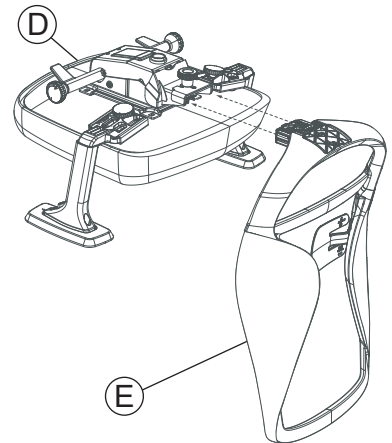
Press the casters (A) into the holes at the end of each leg of the Base (B). Insert the bottom end of the cylinder (C) into the center hole of the Base (B).

STEP 2



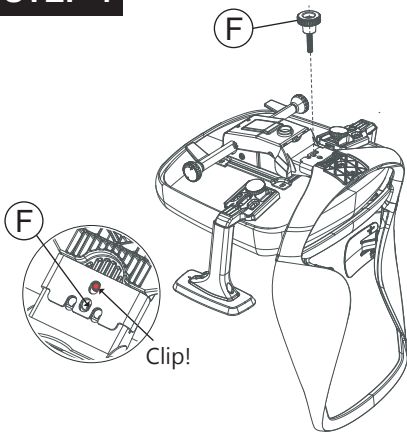
Please be careful to use the correct armrest (G) which are marked Left and Right. For easy assembly, place the Seat Cushion (D) face down on a flat surface. Attach each Armrest (G) to the Seat Cushion (D) using 2 hand wheels (H) for each arm. Tighten the hand wheel by hand.

STEP 3



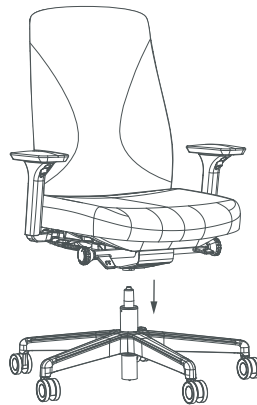
Attach the Backrest (E) to the mechanism and due to special construction of this connection, you might need to push in the backrest into mech hardly.

STEP 4



You will hear a "clip sound" and see clip is in the position of hole. Tighten the hand wheel (F) securely with hand.

STEP 5



Now turn the assembled chair upright and locate the center hole of mechanism over the cylinder. Push down firmly until the connection is secured.

STEP 6



Before using your chair, ensure that all hand wheels are tighten fully for safety. You can now enjoy the comfort of your new chair. Note: please check all hand wheels every month to secure they are remained tightly and fasten.

PREVENTIVE MAINTENANCE AND WARNING!

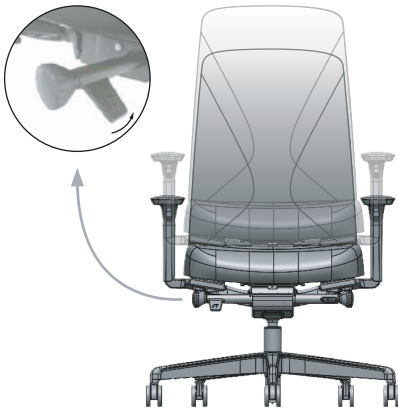
- USE THIS PRODUCT ONLY FOR SEATING ONE PERSON AT A TIME.
- DO NOT USE THIS CHAIR AS A STEP STOOL / LADDER.
- DO NOT SIT ON ANY PART OF THE CHAIR EXCEPT THE SEAT.
- DO NOT USE CHAIR ON UNEVEN FLOOR SURFACES.
- DO NOT USE CHAIR UNLESS ALL BOLTS, SCREWS AND KNOBS ARE TIGHTENED.
- **EVERY SIX MONTHS, PLEASE MAKE SURE ALL BOLTS, SCREWS AND KNOBS ARE FULLY TIGHTENED TO ENSURE STABILITY.**
- IF ANY PARTS ARE MISSING, BROKEN, DAMAGED OR WORN, STOP USE OF THE PRODUCT UNTIL REPAIRS ARE MADE USING FACTORY AUTHORIZED PARTS.
- DISPOSE OF PACKAGING PROPERLY. PLASTIC BAG IS NOT A TOY. DO NOT USE PLASTIC BAG AS HEAD COVERING – IT MAY CAUSE SUFFOCATION.
- FAILURE TO FOLLOW THESE WARNINGS COULD RESULT IN SERIOUS INJURY.
- NOTE: SOME SCREWS MAY BE PREASSEMBLED. IF PREASSEMBLED, IGNORE ASSEMBLY INSTRUCTIONS.

OPERATING INSTRUCTIONS

LAU1

Remove all items from the carton. Verify all pieces before assembly.

A SEAT HEIGHT ADJUSTMENT.



While seated, pull the lever on the right side of the mechanism up and hold it while raising or lowering the seat to change the seat height. When the lever is released, the seat height is locked. The seat height adjustment range is approximately 110mm / 4.3".

B BACK TILT ADJUSTMENT.



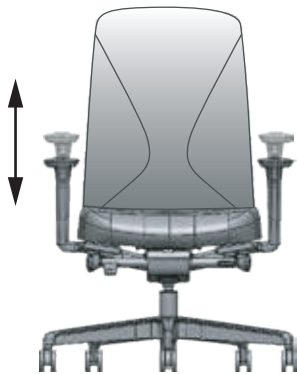
While seated, turn the knob on the left side of the mechanism to lock and unlock the tilt function. To adjust force of tilt, turn the knob on the right side of the mechanism to increase and decrease the force. The range of motion is approximately 21°.

C SEAT DEPTH ADJUSTMENT.



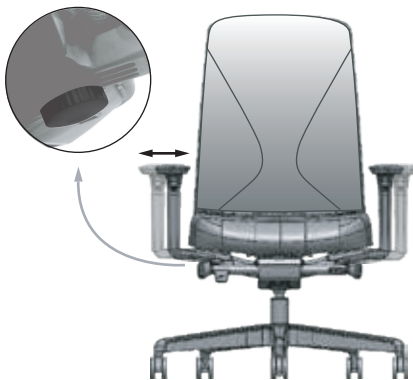
While seated, to adjust the seat depth, there is a lever on the left side of the seat and you can pull up the lever to adjust the depth of seat and release lever to lock the seat. The range of adjustment is approximately 50mm / 2".

D ARMREST HEIGHT ADJUSTMENT.



There is a button at front / underside of arm pad, you can press in to release the locking for height adjustment. The range of adjustment is approximately 100mm / 4".

E ARM WIDTH ADJUSTMENT.

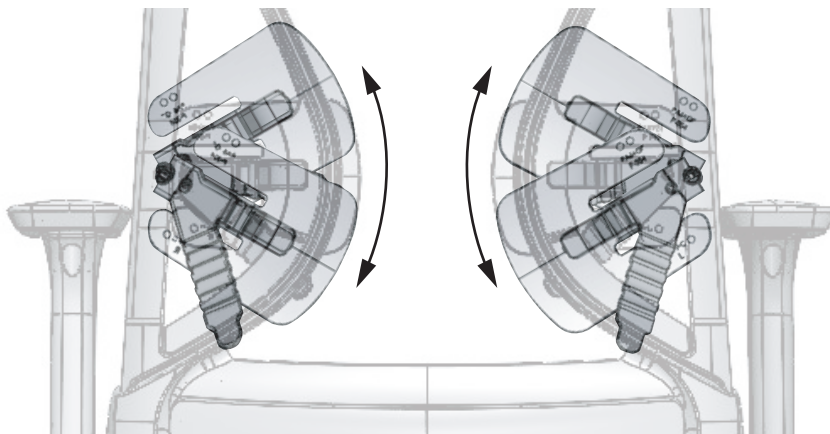


There are hand wheel at underside of arm upright, you can turn to release the lock and adjust outward / inward and tighten the hand wheel when arm is adjusted to desired position. The range of adjustment is approximately 60mm / 2.4".

F 360° SWIVEL.



Your chair can rotate around 360°.



To adjust the lumbar support, you need to put your hands behind the chair and search for a lever and then you can adjust upward / downward to the desired position.

OUR PROMISE.

They say with age comes wisdom. And while we've learned a lot since we sold our first office chair in 1979, even then we knew that superior craftsmanship and design are essential ingredients in delivering real value for our customers. All these years later, those three simple pillars still stand behind our promise of exceptional seating with every chair we sell.

DESIGN CRAFTSMANSHIP VALUE

Eurotech. Sit Smarter.

THE EUROTECH WARRANTY

- For all products except for 24/7 chairs (see below), Eurotech warrants to the original purchaser all components for the life of the product with the exception of upholstery and foam, which will be warranted for five years.
- For 24/7 chairs, Eurotech warrants to the original purchaser of all 24/7 and Big & Tall chairs all components for 5 years with the exception of upholstery and foam which will be warranted for 2 years.
- Eurotech warrants to the original purchaser that all parts will be free from material defects. Eurotech will repair or replace, at its option, any unaltered components.
- Eurotech does not warrant any aftermarket hardware that is installed on the product.
- Eurotech's warranty is limited to the normal use of the product in a forty hour work week and a 275lb. weight limit unless otherwise noted.
- Eurotech shall NOT be liable for consequential or incidental damage arising from any product defect.
- Eurotech's warranty is limited to replacement or repair and does not cover cost of transportation and labor. There are no other warranties expressed or implied other than those specifically described.
- Eurotech does not warrant customer's own material.
- Eurotech warrants to the original purchaser with proof of purchase along with a copy of the receipt.
- Arm Pads are warranted for 2 years under normal wear and tear.
- Cylinder is warranted for 5 years.

This warranty is made as of 9/15/16. Please see <http://www.eurotechseating.com/warranty-information> for any updates and/or revisions to this warranty.