

RAYNOR GAMING

Energy Pro Series

ASSEMBLY INSTRUCTIONS
OPERATING INSTRUCTIONS




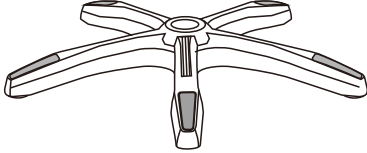
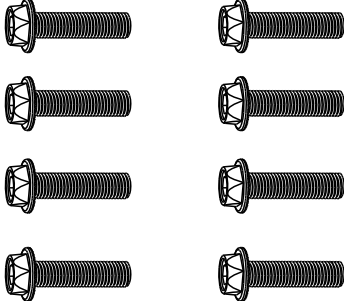

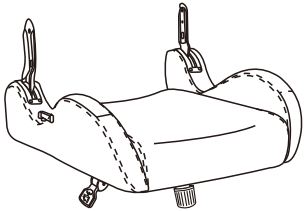


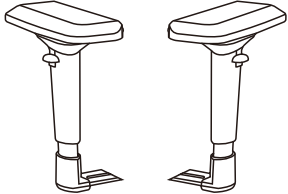
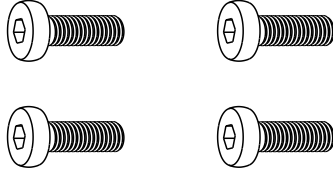


CUSTOMER SERVICE 1-800-637-0005
WWW.RAYNORGAMING.COM

ASSEMBLY INSTRUCTIONS

Energy Pro Series

Remove all items from the carton. Verify all pieces before assembly.

PARTS LIST

<p>A</p>  <p>Caster X5</p>	<p>B</p>  <p>Star Base X1</p>	<p>I</p>  <p>Armrest Screws (1/4x1-1/8", Yellow) X 8</p>
<p>C</p>  <p>Seat Post (cylinder) X1</p>	<p>D</p>  <p>Seat Cushion with Mechanism X1</p>	<p>J</p>  <p>Armrest Washer (16.5x8.5x1mm) X 8</p>
<p>E</p>  <p>Backrest X1</p>	<p>F</p>  <p>Armrests - 1 Left & 1 Right Armrest X1</p>	<p>K</p>  <p>Backrest Screws (M8x22mm, Blue) X 4</p>
<p>G</p>  <p>Backrest Screw Caps X 4</p>	<p>H</p>  <p>Allen Wrench (5mm) X 1</p>	

PREVENTIVE MAINTENANCE AND WARNING!

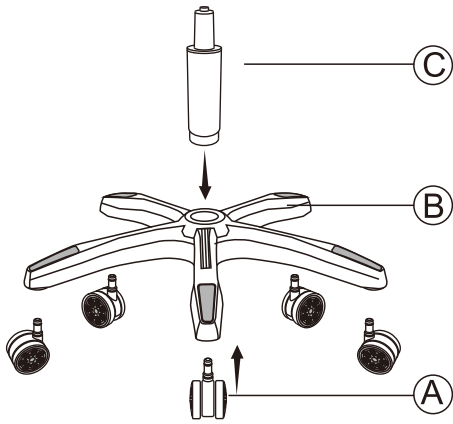
- USE THIS PRODUCT ONLY FOR SEATING ONE PERSON AT A TIME.
- DO NOT USE THIS CHAIR AS A STEP STOOL / LADDER.
- DO NOT SIT ON ANY PART OF THE CHAIR EXCEPT THE SEAT.
- DO NOT USE CHAIR ON UNEVEN FLOOR SURFACES.
- DO NOT USE CHAIR UNLESS ALL BOLTS, SCREWS AND KNOBS ARE TIGHTENED.
- EVERY SIX MONTHS, PLEASE MAKE SURE ALL BOLTS, SCREWS AND KNOBS ARE FULLY TIGHTENED TO ENSURE STABILITY.
- IF ANY PARTS ARE MISSING, BROKEN, DAMAGED OR WORN, STOP USE OF THE PRODUCT UNTIL REPAIRS ARE MADE USING FACTORY AUTHORIZED PARTS.
- DISPOSE OF PACKAGING PROPERLY. PLASTIC BAG IS NOT A TOY. DO NOT USE PLASTIC BAG AS HEAD COVERING – IT MAY CAUSE SUFFOCATION.
- FAILURE TO FOLLOW THESE WARNINGS COULD RESULT IN SERIOUS INJURY.
- NOTE: SOME SCREWS MAY BE PREASSEMBLED. IF PREASSEMBLED, IGNORE ASSEMBLY INSTRUCTIONS.

ASSEMBLY INSTRUCTIONS

Energy Pro Series

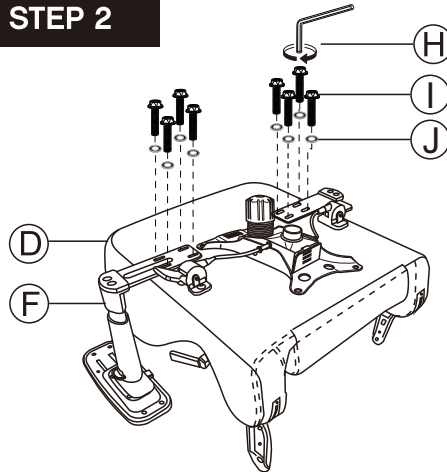
Remove all items from the carton. Verify all pieces before assembly.

STEP 1



Press the Casters (A) into the hole at the end of each leg of the Base (B).
Insert Seat Post (C) into the center hole of the Base (B).

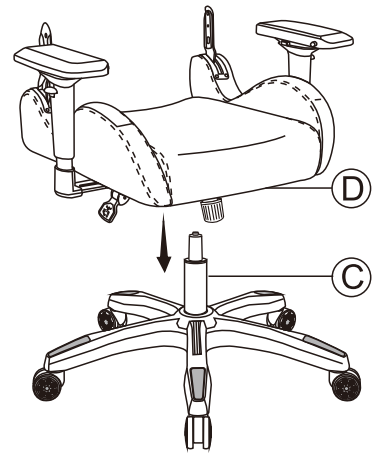
STEP 2



Please be careful to use the correct YELLOW Screws (I) and Washers (J).

For easy assembly, place the Seat Cushion (D) face down on a flat surface. Attach the Armrest (F) to the Seat Cushion (D) using 8 Screws (I) and 8 Washers (J). Tighten securely with the enclosed Allen Wrench (H).

STEP 3



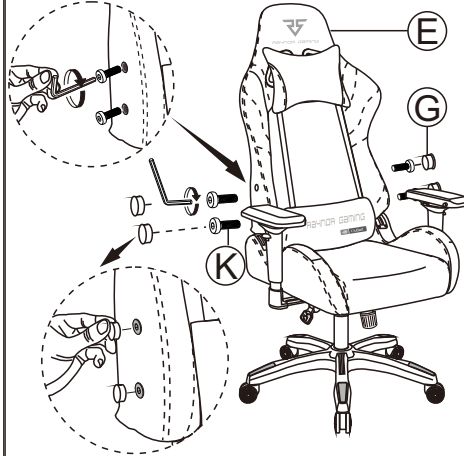
Turn the assembled seat upright and locate the center hole of the Mechanism over the seat post. Push down firmly until the connection is secure.

STEP 4



With the two upright bars pointing straight up, lower the backrest (E) onto the two upright bars so they slide into the holes on each side of the backrest. Push down until the connection is secure.

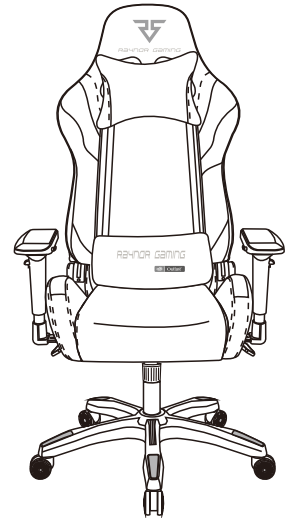
STEP 5



Please be careful to use the correct BLUE Screws (K) and Backrest Screw Caps (G).

Insert 4 Screws (K) into the predrilled holes as shown in the diagram above. Tighten securely with the enclosed Allen Wrench (H).
Insert 1 Backrest Screw Caps (G) over each of the 4 screws on the Backrest to cover the exposed holes of the Backrest (E).

STEP 6



Before using your chair, ensure that all the screws are tightened fully for safety. You can now enjoy the comfort of your new chair!

NOTE: Please keep the enclosed Allen Wrench and check all screws every six months to ensure they remain tightly fastened.

PREVENTIVE MAINTENANCE AND WARNING!

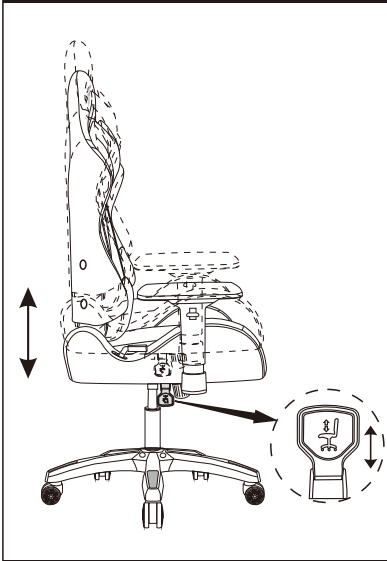
- USE THIS PRODUCT ONLY FOR SEATING ONE PERSON AT A TIME.
- DO NOT USE THIS CHAIR AS A STEP STOOL / LADDER.
- DO NOT SIT ON ANY PART OF THE CHAIR EXCEPT THE SEAT.
- DO NOT USE CHAIR ON UNEVEN FLOOR SURFACES.
- DO NOT USE CHAIR UNLESS ALL BOLTS, SCREWS AND KNOBS ARE TIGHTENED.
- EVERY SIX MONTHS, PLEASE MAKE SURE ALL BOLTS, SCREWS AND KNOBS ARE FULLY TIGHTENED TO ENSURE STABILITY.

- IF ANY PARTS ARE MISSING, BROKEN, DAMAGED OR WORN, STOP USE OF THE PRODUCT UNTIL REPAIRS ARE MADE USING FACTORY AUTHORIZED PARTS.
- DISPOSE OF PACKAGING PROPERLY. PLASTIC BAG IS NOT A TOY. DO NOT USE PLASTIC BAG AS HEAD COVERING – IT MAY CAUSE SUFFOCATION.
- FAILURE TO FOLLOW THESE WARNINGS COULD RESULT IN SERIOUS INJURY.
- NOTE: SOME SCREWS MAY BE PREASSEMBLED. IF PREASSEMBLED, IGNORE ASSEMBLY INSTRUCTIONS.

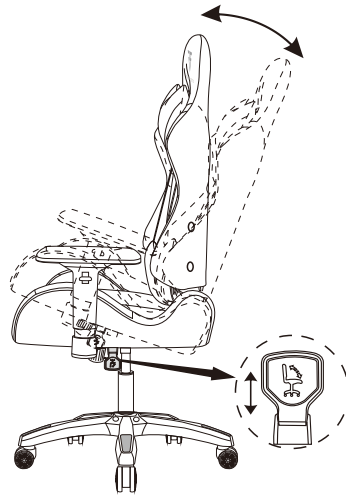
OPERATING INSTRUCTIONS

Energy Pro Series

A SEAT HEIGHT ADJUSTMENT



B TILT ADJUSTMENT



A SEAT HEIGHT ADJUSTMENT

While seated, pull the lever on the right side of the seat up and hold it while raising or lowering the seat to change the seat height. When the lever is released, the seat height is locked. The seat height adjustment range is approximately 3.5".

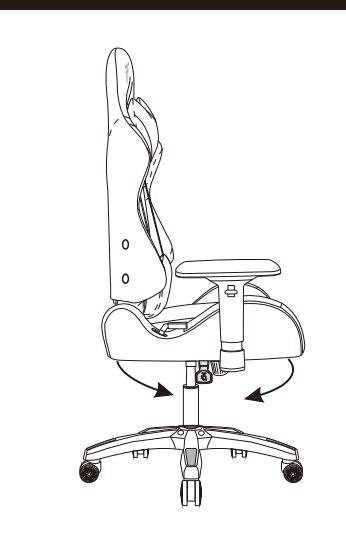
B TILT ADJUSTMENT

While seated, pull the lever on the left side of the seat up and lean against the back. When the desired angle is achieved, push the lever back down to lock the back in the desired position. The range of motion in degrees is approximately 14°.

C TILT TENSION ADJUSTMENT



D 360° SWIVEL



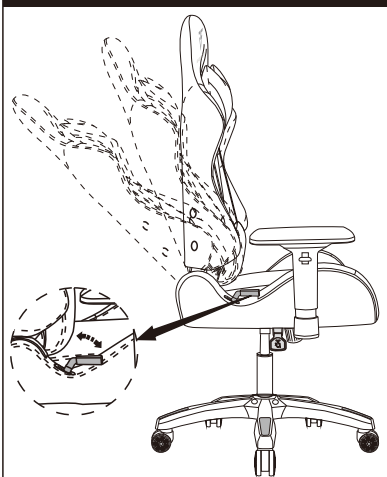
C TILT TENSION ADJUSTMENT

Rotate the knob located underneath the seat clockwise or counterclockwise to adjust the tilt tension to your preferred level of resistance.

D 360° SWIVEL

Your chair can rotate around 360°.

E BACKREST RECLINE RANGE

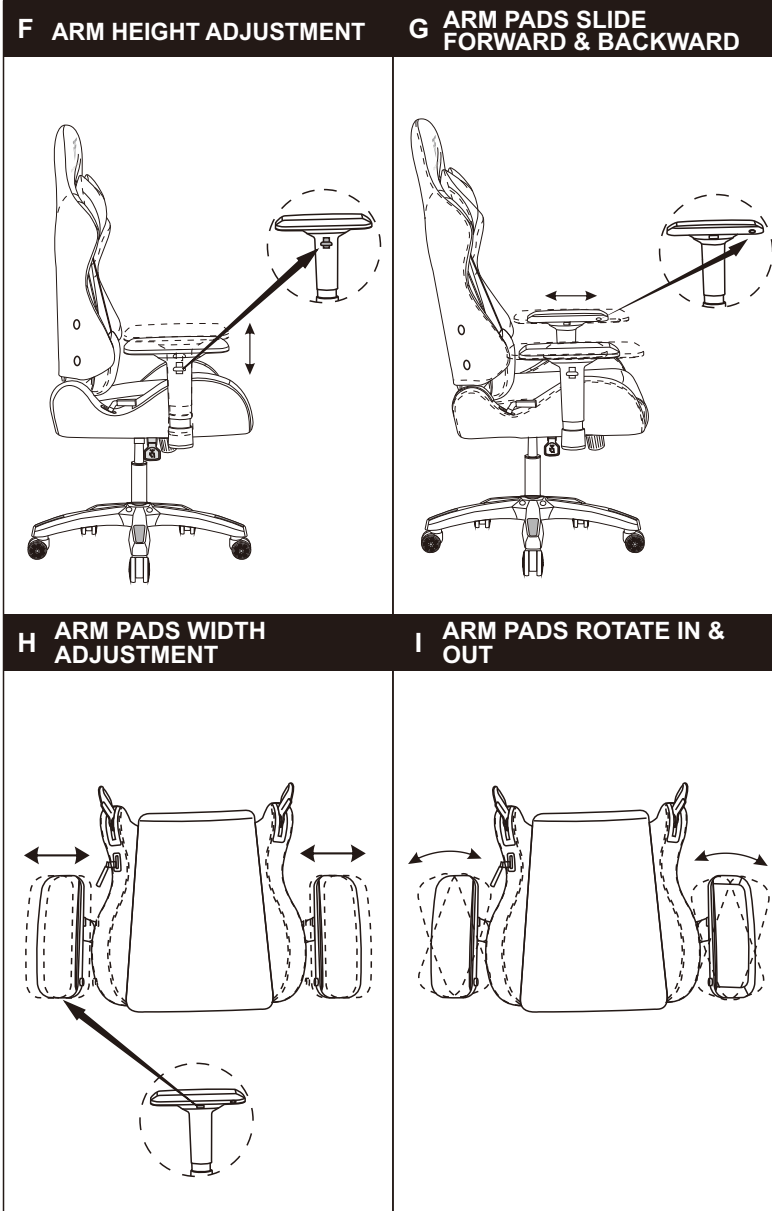


E BACKREST RECLINE RANGE

Pull the lever at side of the chair to select a suitable and comfortable angle and let go the lever to lock. The recline range is approximately 85°-145°.

OPERATING INSTRUCTIONS

Energy Pro Series



F ARM HEIGHT ADJUSTMENT

Pull the button on the armrest to adjust height of the arm. The arm height adjustment range is approximately 3".

G ARM PADS SLIDE FORWARD & BACKWARD

You can have arm pads slide forward and backward. The arm pads slide range is approximately each 1" for front and back.

H ARM PADS WIDTH ADJUSTMENT

Press the button at inner side of the arm pads and pull the arm pads in horizontal direction. The arm pads width adjustment range is approximately 0.5".

I ARM PADS ROTATE IN & OUT

Rotate the arm pads to have arm pads rotate in and out. The range of motion in degree is approximately 12° for each left and right.