



ELV2-BLK-FS/ELV2-WHT-FS

ASSEMBLY INSTRUCTIONS
OPERATING INSTRUCTIONS
WARRANTY




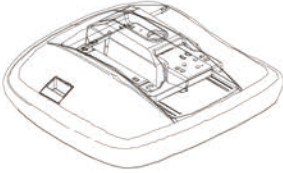
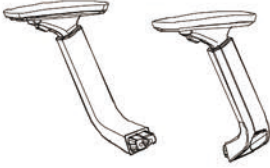
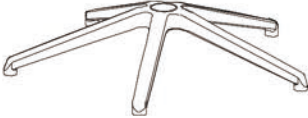







CUSTOMER SERVICE 1-800-637-0005
WWW.EUROTECHSEATING.COM

ASSEMBLY INSTRUCTIONS

ELV2-BLK-FS/ELV2-WHT-FS

Remove all items from the carton. Verify all components before assembly.

Part List

Key	Description	Part	Qty.	Spare
A	BACKREST		1	
B	Seat (Mechanism Assembled)		1	
C	Armrests (1 left & 1 right armrest)		2	
D	Star Base		1	
E	Seat Post(Cylinder)		1	
F	Caster		1	
G	Mechanism Handle		2	
H	Back Bolts (M8 X 20mm)		3	1
I	Armrest Bolts (M6 X 45mm)		4	1
J	AllenWrench 4mm		1	
K	AllenWrench 5mm		1	

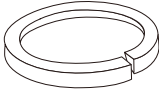


• Please tighten your chairs hardware every six months.

ASSEMBLY INSTRUCTIONS

ELV2-BLK-FS/ELV2-WHT-FS

Remove all items from the carton. Verify all components before assembly.

Part List

Key	Description	Part	Qty.	Spare
L	Spring Washers for Back Bolts (Ø8*13*2.0mm)		3	1
M	Washers for Back Bolts (Ø6*16*2.0mm)		4	1
N	Washers for Arm Bolts (Ø8*20*2.0mm)		3	1

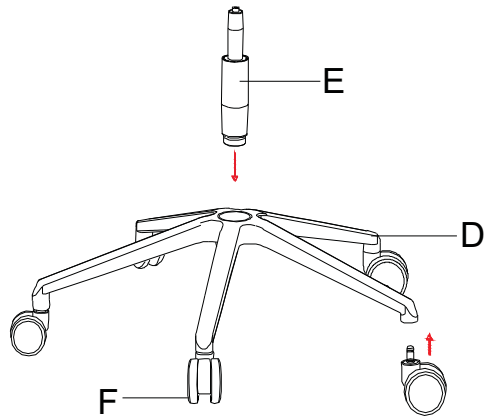
- Please tighten your chairs hardware every six months.

ASSEMBLY INSTRUCTIONS

ELV2-BLK-FS/ELV2-WHT-FS

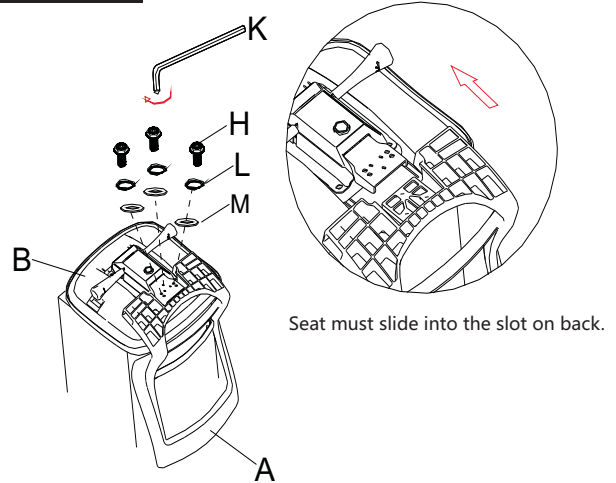
Remove all items from the carton. Verify all components before assembly.

STEP 1



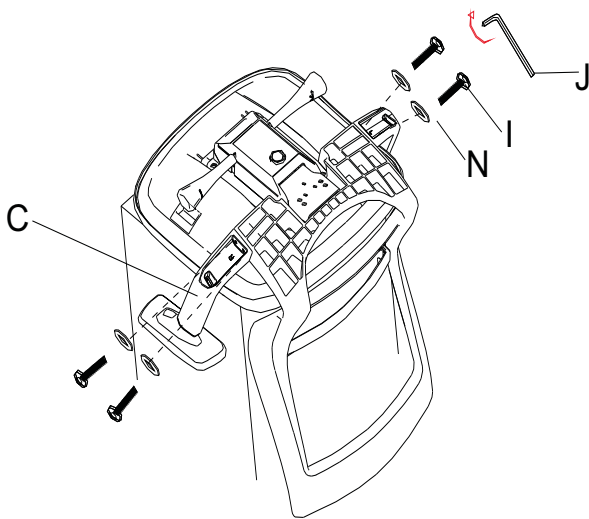
Press the Casters (F) into the holes at the end of each leg of the Base (D).
Insert Seat Post (E) into the center hole of the base (D).

STEP 2



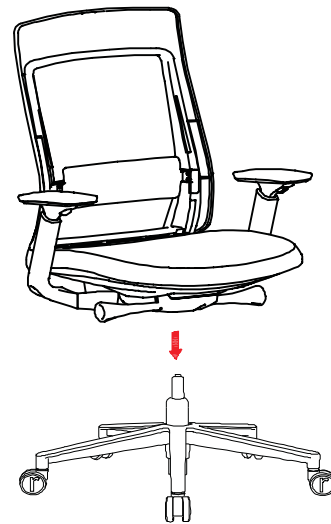
Please be careful to use the correct Back Bolts (H). Assemble the Backrest (A) to the Seat Cushion (B) using 3 Back Bolts (H) with 3 Spring Washers for Back screws (L) and 3 Washers for Back Bolts (M). Tighten the bolts securely with the enclosed Allen Wrench (K).
Seat must slide into the slot on back.

STEP 3



Attach each Armrest (C) to the Seat Cushion (B) using Armrest Bolts (I) and Washers (N) for each arm. Tighten securely with the enclosed Allen Wrench (J).

STEP 4



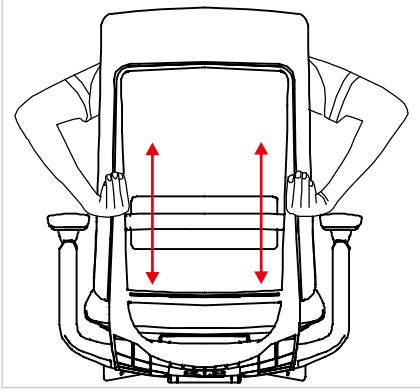
Now turn the assembled seat upright and locate the center hole of the Mechanism over the Seat Post. Push down firmly until the connection is secure.

PREVENTIVE MAINTENANCE AND WARNING!

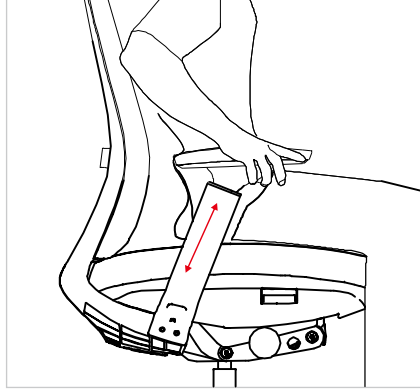
- USE THIS PRODUCT ONLY FOR SEATING ONE PERSON AT A TIME.
- DO NOT USE THIS CHAIR AS A STEP STOOL / LADDER.
- DO NOT SIT ON ANY PART OF THE CHAIR EXCEPT THE SEAT.
- DO NOT USE CHAIR ON UNEVEN FLOOR SURFACES.
- DO NOT USE CHAIR UNLESS ALL BOLTS, SCREWS AND KNOBS ARE TIGHTENED.
- EVERY SIX MONTHS, PLEASE MAKE SURE ALL BOLTS, SCREWS AND KNOBS ARE FULLY TIGHTENED TO ENSURE STABILITY.
- IF ANY PARTS ARE MISSING, BROKEN, DAMAGED OR WORN, STOP USE OF THE PRODUCT UNTIL REPAIRS ARE MADE USING FACTORY AUTHORIZED PARTS.
- DISPOSE OF PACKAGING PROPERLY. PLASTIC BAG IS NOT A TOY. DO NOT USE PLASTIC BAG AS HEAD COVERING - IT MAY CAUSE SUFFOCATION.
- FAILURE TO FOLLOW THESE WARNINGS COULD RESULT IN SERIOUS INJURY.
- NOTE: SOME SCREWS MAY BE PREASSEMBLED. IF PREASSEMBLED, IGNORE ASSEMBLY INSTRUCTIONS.

OPERATING INSTRUCTIONS ELV2-BLK-FS/ELV2-WHT-FS

B1 BACKREST HEIGHT ADJUSTMENT



B2 ARMREST HEIGHT ADJUSTMENT



B1 BACKREST HEIGHT ADJUSTMENT

The height of the lumbar support can be adjusted by lifting or lowering the backrest height.

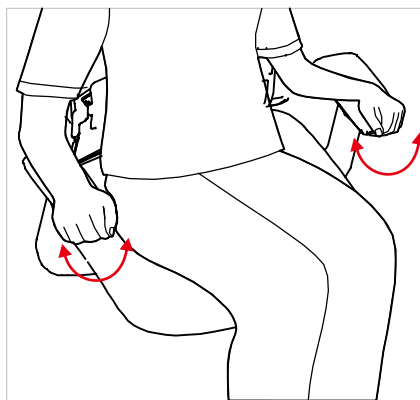
B2 ARMREST HEIGHT ADJUSTMENT

While seated, grasp each armrest and raise to your desired height. In order to lower the arm, lift the armrest to its highest position and it will go back down to the lowest height. Then repeat to get to your desired height. The arm height adjustment range is 2.75"

B3 ARMPAD FORWARD AND BACKWARD ADJUSTMENT



B4 ARMPAD ANGLE ADJUSTMENT



B3 ARMPAD FORWARD AND BACKWARD ADJUSTMENT

While seated, push the armpads forward or backward to a desired position. The range of movement is approximately 2"

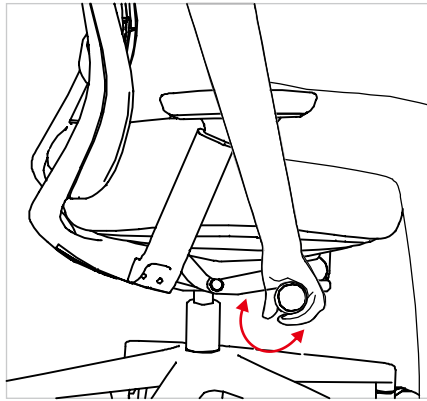
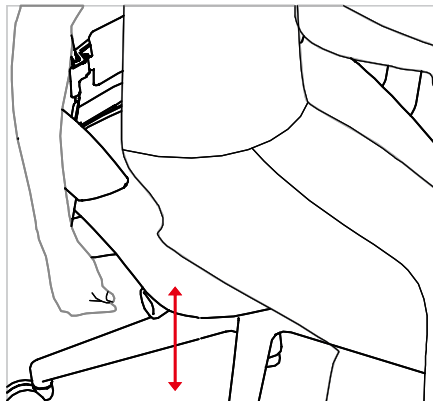
B4 ARM PAD ANGLE ADJUSTMENT

While seated, a 15° range of movement can be achieved by swiveling the armpads inward or outward.

OPERATING INSTRUCTIONS

ELV2-BLK-FS/ELV2-WHT-FS

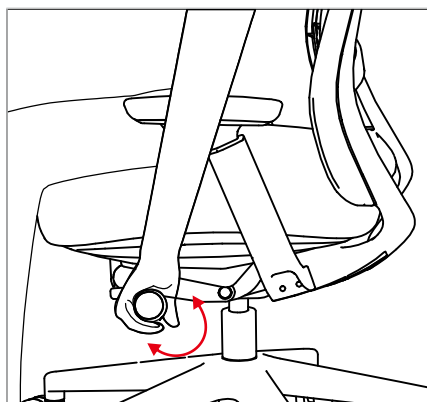
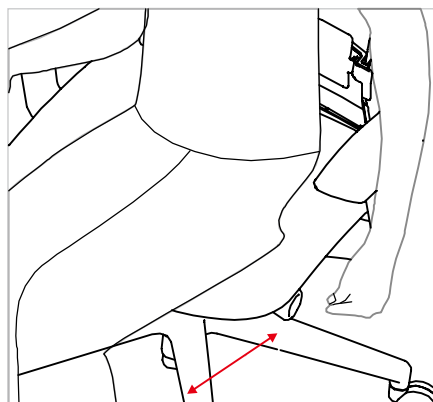
B5 SEAT HEIGHT ADJUSTMENT



B5 SEAT HEIGHT ADJUSTMENT

While seated, pull the single control lever upward and hold it while raising or lowering the seat to reach your desired seat height. When the lever is released to its original position, the seat height is locked. The seat height adjustment range is approximately 3.54" .

B6 BACKREST TILT ANGLE ADJUSTMENT



B6 BACKREST TILT ANGLE ADJUSTMENT

While seated, pull the single control lever completely backward and lean against the back. When your desired angle is achieved, return the lever to the original middle position to lock your tilt angle into place. There are 4 positions that provide 21° of range.

OUR PROMISE.

They say with age comes wisdom. And while we've learned a lot since we sold our first office chair in 1979, even then we knew that superior craftsmanship and design are essential ingredients in delivering real value for our customers. All these years later, those three simple pillars still stand behind our promise of exceptional seating with every chair we sell.

DESIGN CRAFTSMANSHIP VALUE

Eurotech. Sit Smarter.

THE EUROTECH WARRANTY

- For all products except for 24/7 chairs (see below), Eurotech warrants to the original purchaser all components for the life of the product with the exception of upholstery and foam, which will be warranted for five years.
- For 24/7 chairs, Eurotech warrants to the original purchaser of all 24/7 chairs all components for 10 years with the exception of upholstery and foam which will be warranted for 2 years.
- Eurotech warrants to the original purchaser that all parts will be free from material defects. Eurotech will repair or replace, at its option, any unaltered components.
- Eurotech does not warrant any aftermarket hardware that is installed on the product.
- Eurotech's warranty is limited to the normal use of the product in a forty hour work week and a 275lb. weight limit unless otherwise noted.
- Eurotech shall NOT be liable for consequential or incidental damage arising from any product defect.
- Eurotech's warranty is limited to replacement or repair and does not cover cost of transportation and labor. There are no other warranties expressed or implied other than those specifically described.
- Eurotech does not warrant customer's own material.

This warranty is made as of 9/15/16. Please see <http://www.eurotechseating.com/warranty-information> for any updates and/or revisions to this warranty.