

eurotech

A RAYNOR GROUP COMPANY

RYZE-BLK

ASSEMBLY INSTRUCTIONS
OPERATING INSTRUCTIONS
WARRANTY



CUSTOMER SERVICE : parts@raynorgroup.com

CUSTOMER SERVICE : 1-800-637-0005

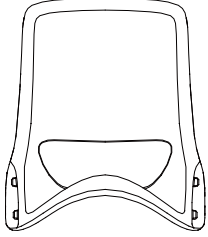

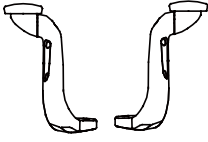
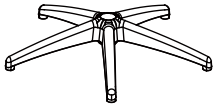
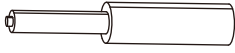

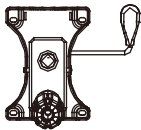
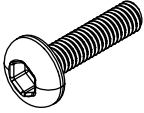
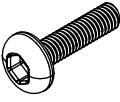
www.eurotechseating.com

ASSEMBLY INSTRUCTIONS

RYZE-BLK

Remove all items from the carton. Verify all components before assembly.

PART LIST

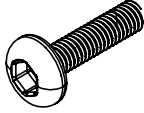

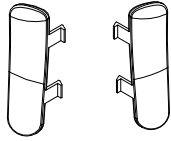

key	Description	Part	Qty.	Spare
A	Backrest		1	
B	Seat		1	
C	Armrests (1 left & 1 right armrest)		2	
D	Star Base		1	
E	Seat Post(Cylinder)		1	
F	Caster		5	
G	Mechanism		1	
H	Armrest Bolts (M6×40mm Blue)		6	1
I	Back Bolts (M6×20mm Blue)		6	1

• Please tighten your chairs hardware every six months.

ASSEMBLY INSTRUCTIONS

RYZE-BLK

Remove all items from the carton. Verify all components before assembly.

Part List				
Key	Description	Part	Qty.	Spare
J	Mechanism Bolts (M6×25mm,Blue)		2	1
K	Washers for Bolts (Ø8*17*2.0mm)		6	1
L	Small cover for armrest		2	
M	Allen Wrench 5mm		1	

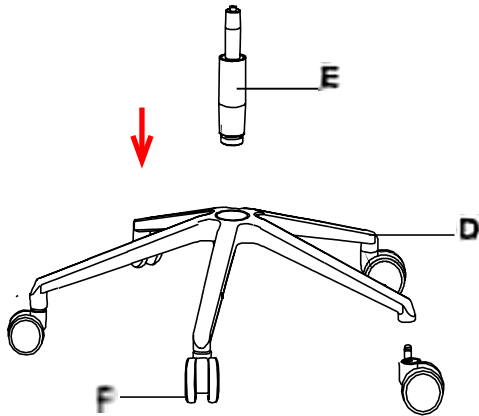
• Please tighten your chairs hardware every six months.

ASSEMBLY INSTRUCTIONS

RYZE-BLK

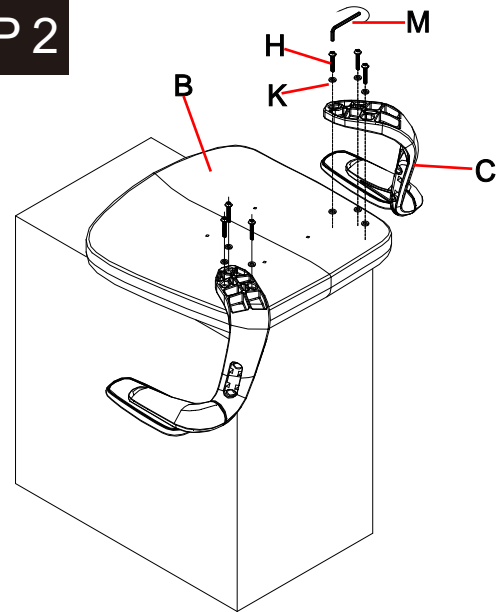
Remove all items from the carton. Verify all components before assembly.

STEP 1



Press the Casters (F) into the holes at the end of each leg of the Base (D). Inset Seat Post (E) into the center hole of the Base.

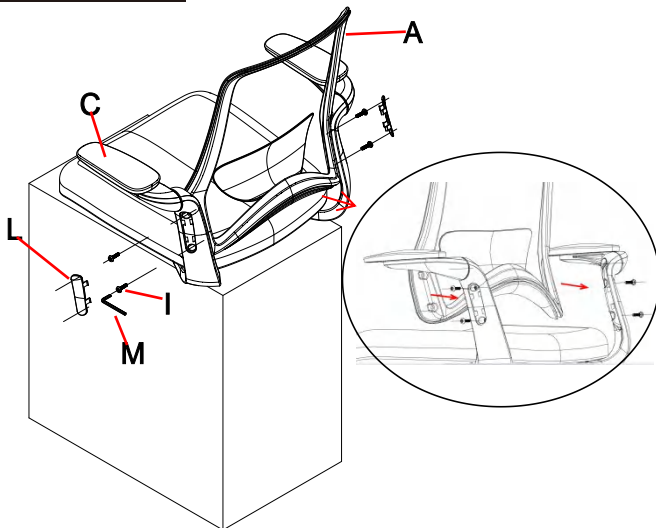
STEP 2



*****Don't fully tighten the screws in this step*****

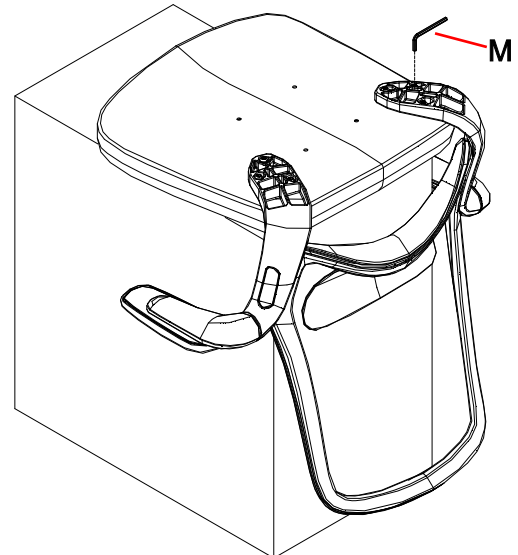
Attach each Armrest (C) to the Seat Cushion (B), Using 3 Armrest Bolts (H) and Washers (K) for each arm. Tighten with enclosed Allen Wrench (M).

STEP 3



Turn The assembled seat cushion face up, Assemble the Backrest (A) to the Armrest (C), Using 4 Back Bolts (I), Tighten the bolts securely with the Allen Wrench (M).
Assembled the small cover (L) to the Armrest.

STEP 4



After the backrest assembly is completed, Tighten the Armrest bolts securely with the Allen Wrench (M).

PREVENTIVE MAINTENANCE AND WARNING !

- USE THIS PRODUCT ONLY FOR SEATING ONE PERSON AT A TIME.
- DO NOT USE THIS CHAIR AS A STEP STOOL / LADDER.
- DO NOT SIT ON ANY PART OF THE CHAIR EXCEPT THE SEAT.
- DO NOT USE CHAIR ON UNEVEN FLOOR SURFACES.
- DO NOT USE CHAIR UNLESS ALL BOLTS, SCREWS AND KNOBS ARE TIGHTENED.
- EVERY SIX MONTHS , PLEASE MAKE SURE ALL BOLTS , SCREWS AND KNOBS ARE FULLY TIGHTENED TO ENSURE STABILITY.

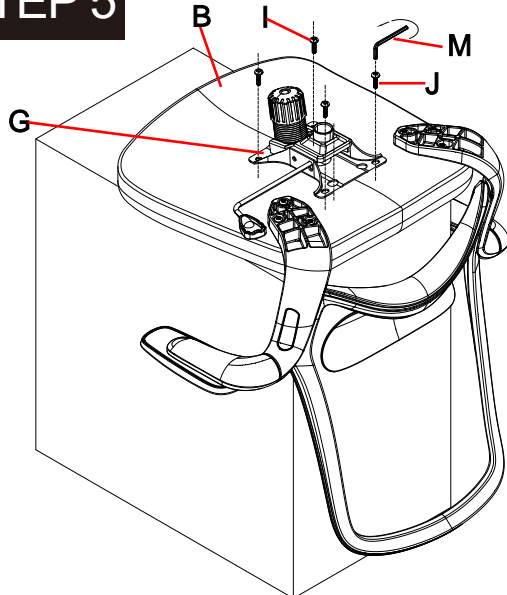
- IF ANY PARTS ARE MISSING, BROKEN, DAMAGED OR WORN, STOP USE OF THE PRODUCT UNTIL REPAIR ARE MADE USING FACTORY AUTHORIZED PARTS.
- DISPOSE OF PACKAGING PROPERLY. PLASTIC BAG IS NOT A TOY. DO NOT USE PLASTIC BAG AS HEAD COVERING – IT MAY CAUSE SUFFOCATION.
- FAILURE TO FOLLOW THESE WARNINGS COULD RESULT IN SERIOUS INJURY.
- NOTE: SOME SCREWE MAY BE PREASSEMBLED. IF PREASSEMBLED, IGNORE ASSEMBLY INSTRUCTIONS.

ASSEMBLY INSTRUCTIONS

RYZE-BLK

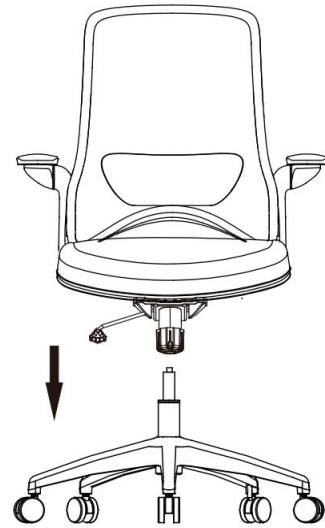
Remove all items from the carton. Verify all components before assembly.

STEP 5



Use the correct Mechanism Bolts (J) and Back Bolts (I), Assemble the Mechanism (G) to the Seat Cushion (B), using 2 Mechanism Bolts (J) and 2 Back Bolts (I), Tighten the bolts securely with the Allen Wrench (M).

STEP 6



Now turn the assembled seat upright and locate the center hole of the Mechanism over the Seat Post. Push down firmly until the connection is secure.

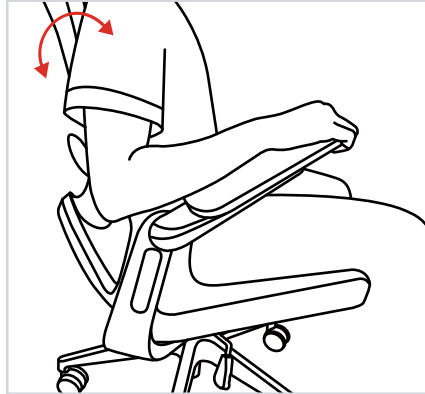
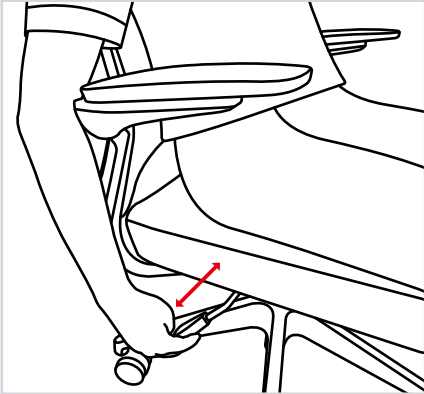
PREVENTIVE MAINTENANCE AND WARNING !

- USE THIS PRODUCT ONLY FOR SEATING ONE PERSON AT A TIME.
- DO NOT USE THIS CHAIR AS A STEP STOOL / LADDER.
- DO NOT SIT ON ANY PART OF THE CHAIR EXCEPT THE SEAT.
- DO NOT USE CHAIR ON UNEVEN FLOOR SURFACES.
- DO NOT USE CHAIR UNLESS ALL BOLTS, SCREWS AND KNOBS ARE TIGHTENED.
- **EVERY SIX MONTHS , PLEASE MAKE SURE ALL BOLTS , SCREWS AND KNOBS ARE FULLY TIGHTENED TO ENSURE STABILITY.**
- IF ANY PARTS ARE MISSING, BROKEN, DAMAGED OR WORN, STOP USE OF THE PRODUCT UNTIL REPAIR ARE MADE USING FACTORY AUTHORIZED PARTS.
- DISPOSE OF PACKAGING PROPERLY. PLASTIC BAG IS NOT A TOY. DO NOT USE PLASTIC BAG AS HEAD COVERING – IT MAY CAUSE SUFFOCATION.
- FAILURE TO FOLLOW THESE WARNINGS COULD RESULT IN SERIOUS INJURY.
- NOTE: SOME SCREWE MAY BE PREASSEMBLED. IF PREASSEMBLED, IGNORE ASSEMBLY INSTRUCTIONS.

OPERATING INSTRUCTION

RYZE-BLK

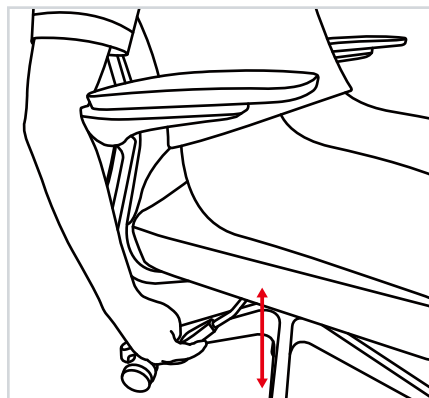
A BACKREST TILT ADJUSTMENT



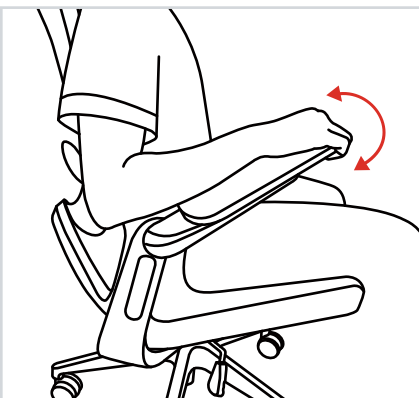
A BACKREST TILT ADJUSTMENT

While seated, Pull out the single control lever then the backrest can be tilted slightly. While pushing in the single control lever the backrest can be locked in the original position. The tilt angle is approximately 23°.

B SEAT HEIGHT ADJUSTMENT



C ARMREST ADJUSTMENT



B SEAT HEIGHT ADJUSTMENT

While seated, pull the single control lever upward and hold it while raising or lowering the seat to reach your desired seat height. When the lever is released to its original position, the seat height is locked. The seat height adjustment range is approximately 3.74".

C ARMREST ADJUSTMENT

Armrest can be flipped upwards.

OUR PROMISE.

They say with age comes wisdom. And while we've learned a lot since we sold our first office chair in 1979, even then we knew that superior craftsmanship and design are essential ingredients in delivering real value for our customers. All these years later, those three simple pillars still stand behind our promise of exceptional seating with every chair we sell.

DESIGN CRAFTSMANSHIP VALUE

Eurotech. Sit Smarter.

THE EUROTECH WARRANTY

- For all products except for 24/7 chairs (see below), Eurotech warrants to the original purchaser all components for the life of the product with the exception of upholstery and foam, which will be warranted for five years.
- For 24/7 chairs, Eurotech warrants to the original purchaser of all 24/7 and Big & Tall chairs all components for 5 years with the exception of upholstery and foam which will be warranted for 2 years.
- Eurotech warrants to the original purchaser that all parts will be free from material defects. Eurotech will repair or replace, at its option, any unaltered components.
- Eurotech does not warrant any aftermarket hardware that is installed on the product.
- Eurotech's warranty is limited to the normal use of the product in a forty hour work week and a 275lb. weight limit unless otherwise noted.
- Eurotech shall NOT be liable for consequential or incidental damage arising from any product defect.
- Eurotech's warranty is limited to replacement or repair and does not cover cost of transportation and labor. There are no other warranties expressed or implied other than those specifically described.
- Eurotech does not warrant customer's own material.
- Eurotech warrants to the original purchaser with proof of purchase along with a copy of the receipt.
- Arm Pads are warranted for 2 years under normal wear and tear.
- Cylinder is warranted for 5 years.

This warranty is made as of 9/15/16. Please see <http://www.eurotechseating.com/warranty-information> for any updates and/or revisions to this warranty.