

eurotech

A RAYNOR GROUP COMPANY

FLEXY-BLK

ASSEMBLY INSTRUCTIONS
OPERATING INSTRUCTIONS
WARRANTY



CUSTOMER SERVICE: parts@raynorgroup.com

CUSTOMER SERVICE: 1-800-637-0005

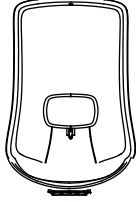
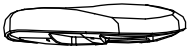
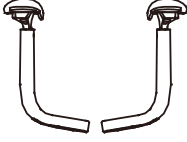
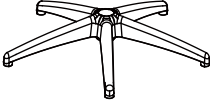
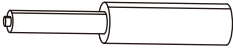

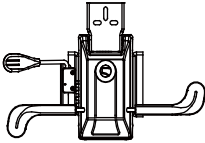

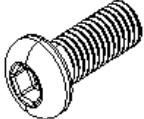
www.eurotechseating.com

ASSEMBLY INSTRUCTIONS

FLEXY-BLK

Remove all items from the carton. Verify all components before assembly.

PART LIST

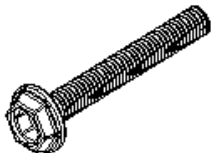
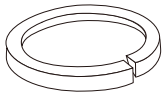

key	Description	Part	Qty.	Spare
A	Backrest		1	
B	Seat		1	
C	Armrests (1 left & 1 right armrest)		2	
D	Star Base		1	
E	Seat Post(Cylinder)		1	
F	Caster		5	
G	Mechanism		1	
H	Armrest Bolts (M6×50mm Blue)		6	1
I	Back Bolts (M8×20mm Blue)		3	1

• Please tighten your chairs hardware every six months.

ASSEMBLY INSTRUCTIONS

FLEXY-BLK

Remove all items from the carton. Verify all components before assembly.

Part List				
Key	Description	Part	Qty.	Spare
J	Mechanism Bolts (M6×45mm Blue)		4	1
K	Washers for Bolts (Ø8*17*2.0mm)		13	1
L	Spring Washers for Back Bolts (Ø8*13*2.0mm)		3	1
M	Allen Wrench 5mm		1	

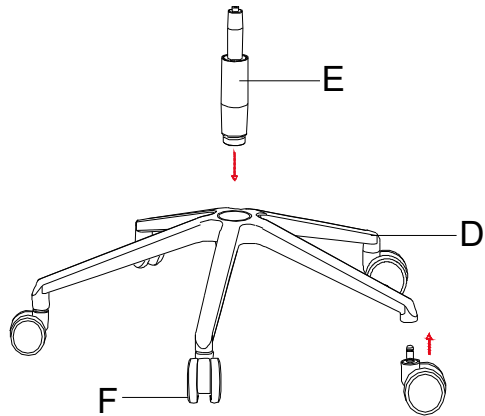
- Please tighten your chairs hardware every six months.

ASSEMBLY INSTRUCTIONS

FLEXY-BLK

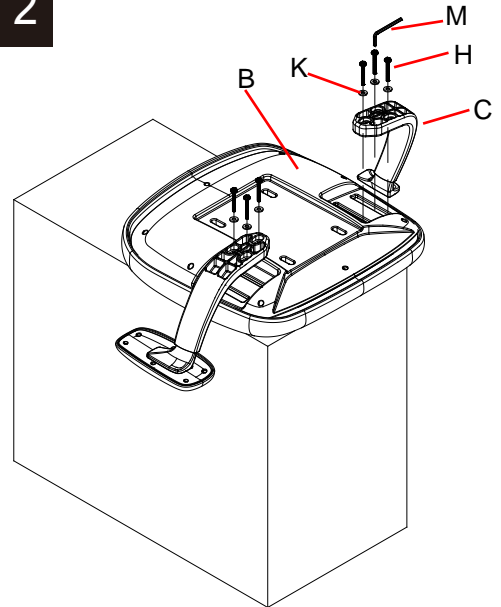
Remove all items from the carton. Verify all components before assembly.

STEP 1



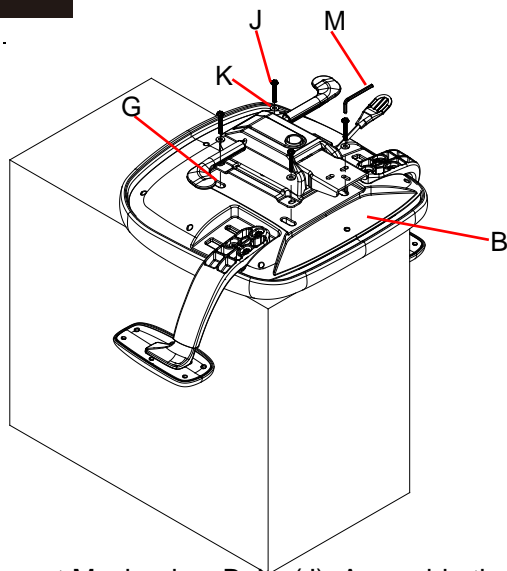
Press the Casters (F) into the holes at the end of each leg of the Base (D).
Insert Seat Post (E) into the center hole of the base (D).

STEP 2



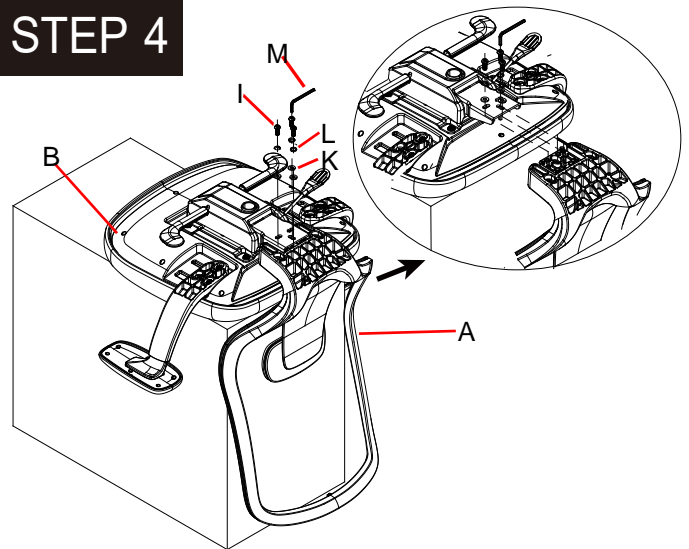
Attach the Armrest (C) to the Seat Cushion (B), using Armrest Bolts (H) and Washers (K) for each arm.
Tighten securely with the enclosed Allen Wrench (M).

STEP 3



Use the correct Mechanism Bolts (J), Assemble the Mechanism (G) to the Seat Cushion (B), using 4 Mechanism Bolts (J) with 4 Washers for Bolts (K).
Tighten the bolts securely with the Allen Wrench (M).

STEP 4



Please be careful to use the correct Back Bolts (I)
Assemble the Backrest (A) to the Seat Cushion (B), using 3 Back Bolts (I) with 3 Spring Washers for Back Bolts (L) and 3 Washers for Bolts (K), Tighten the bolts securely with the enclosed Allen Wrench (M).

PREVENTIVE MAINTENANCE AND WARNING !

- USE THIS PRODUCT ONLY FOR SEATING ONE PERSON AT A TIME.
- DO NOT USE THIS CHAIR AS A STEP STOOL / LADDER.
- DO NOT SIT ON ANY PART OF THE CHAIR EXCEPT THE SEAT.
- DO NOT USE CHAIR ON UNEVEN FLOOR SURFACES.
- DO NOT USE CHAIR UNLESS ALL BOLTS, SCREWS AND KNOBS ARE TIGHTENED.
- **EVERY SIX MONTHS, PLEASE MAKE SURE ALL BOLTS, SCREWS AND KNOBS ARE FULLY TIGHTENED TO ENSURE STABILITY.**

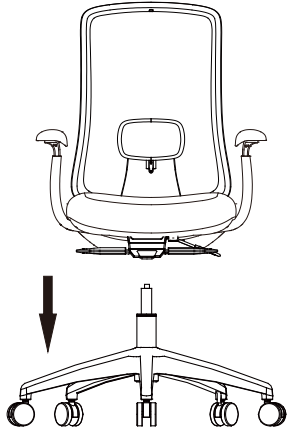
- IF ANY PARTS ARE MISSING, BROKEN, DAMAGED OR WORN, STOP USE OF THE PRODUCT UNTIL REPAIRS ARE MADE USING FACTORY AUTHORIZED PARTS.
- DISPOSE OF PACKAGING PROPERLY. PLASTIC BAG IS NOT A TOY. DO NOT USE PLASTIC BAG AS HEAD COVERING -IT MAY CAUSE SUFFOCATION.
- FAILURE TO FOLLOW THESE WARNINGS COULD RESULT IN SERIOUS INJURY.
- NOTE: SOME SCREWS MAY BE PREASSEMBLED. IF PREASSEMBLED, IGNORE ASSEMBLY INSTRUCTIONS.

ASSEMBLY INSTRUCTIONS

FLEXY-BLK

Remove all items from the carton. Verify all components before assembly.

STEP 5



Now turn the assembled seat upright and locate the center hole of the Mechanism over the Seat Post. Push down firmly until the connection is secure.

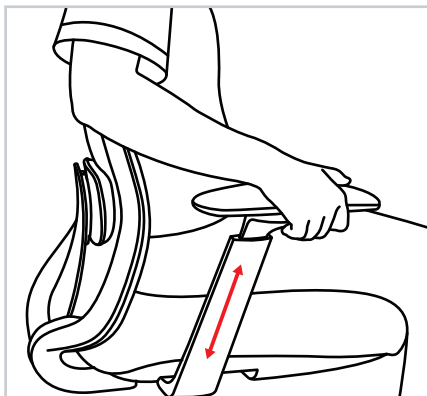
PREVENTIVE MAINTENANCE AND WARNING !

- USE THIS PRODUCT ONLY FOR SEATING ONE PERSON AT A TIME.
- DO NOT USE THIS CHAIR AS A STEP STOOL / LADDER.
- DO NOT SIT ON ANY PART OF THE CHAIR EXCEPT THE SEAT.
- DO NOT USE CHAIR ON UNEVEN FLOOR SURFACES.
- DO NOT USE CHAIR UNLESS ALL BOLTS, SCREWS AND KNOBS ARE TIGHTENED.
- **EVERY SIX MONTHS, PLEASE MAKE SURE ALL BOLTS, SCREWS AND KNOBS ARE FULLY TIGHTENED TO ENSURE STABILITY.**
- IF ANY PARTS ARE MISSING, BROKEN, DAMAGED OR WORN, STOP USE OF THE PRODUCT UNTIL REPAIRS ARE MADE USING FACTORY AUTHORIZED PARTS.
- DISPOSE OF PACKAGING PROPERLY. PLASTIC BAG IS NOT A TOY. DO NOT USE PLASTIC BAG AS HEAD COVERING -IT MAY CAUSE SUFFOCATION.
- FAILURE TO FOLLOW THESE WARNINGS COULD RESULT IN SERIOUS INJURY.
- NOTE: SOME SCREWS MAY BE PREASSEMBLED. IF PREASSEMBLED, IGNORE ASSEMBLY INSTRUCTIONS.

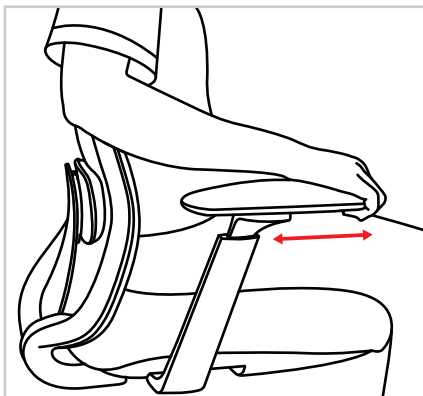
OPERATING INSTRUCTIONS

FLEXY-BLK

A ARMREST HEIGHT ADJUSTMENT



B ARM PAD FORWARD AND BACKWARD ADJUSTMENT



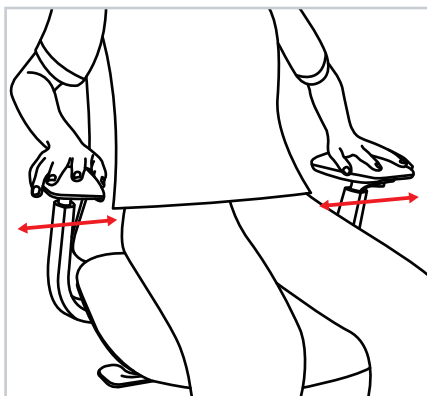
A ARMREST HIGHT ADJUSTMENT

While seated, grasp each armrest and raise to your desired height. In order to lower the arm, lift the armrest to its highest position and it will go back down to the lowest height. Then repeat to get to your desired height. The arm height adjustment range is 2.36".

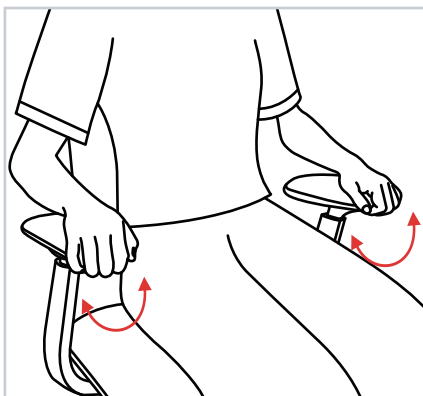
B ARM PAD FORWARD AND BACKWARD ADJUSTMENT

While seated, push the movement forward or backward to a desired position. The range of movement is approximately 1.96".

C ARM PAD HORIZONTAL ADJUSTMENT



D ARM PAD ANGLE ADJUSTMENT



C ARM PAD HORIZONTAL ADJUSTMENT

While seated, each armrest horizontally slides inward and out ward from the center. The range of movement is approximately 0.39".

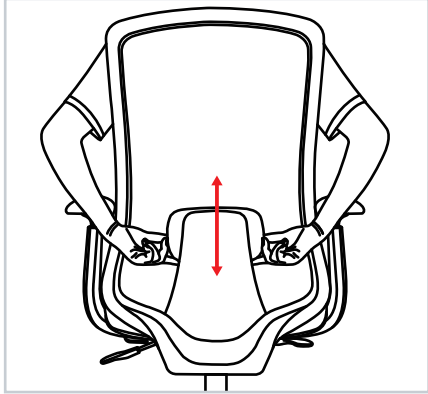
D ARM PAD ANGLE ADJUSTMENT

While seated, a 10° range of movement can be achieved by swiveling the armpad inward or outward .

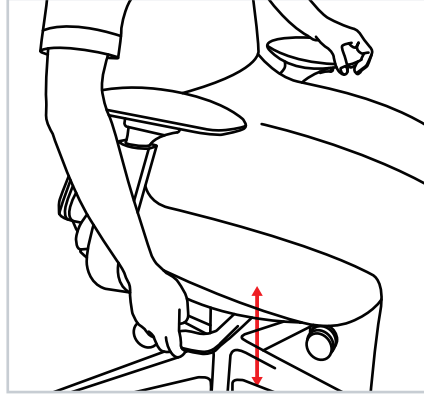
OPERATING INSTRUCTIONS

FLEXY-BLK

E LUMBAR SUPPORT HEIGHT ADJUSTMENT



F SEAT HEIGHT ADJUSTMENT



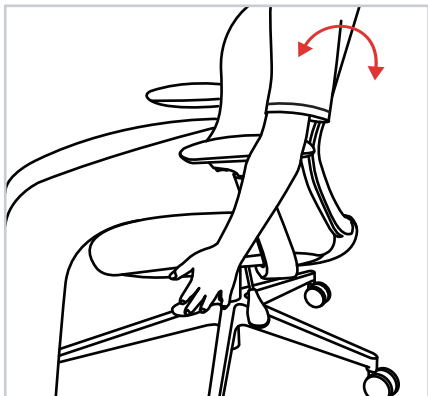
E LUMBAR SUPPORT HEIGHT ADJUSTMENT

The height of the lumbar support can be adjusted by lifting or lowering the backrest height. The lumbar support height adjustment range is approximately 1.96".

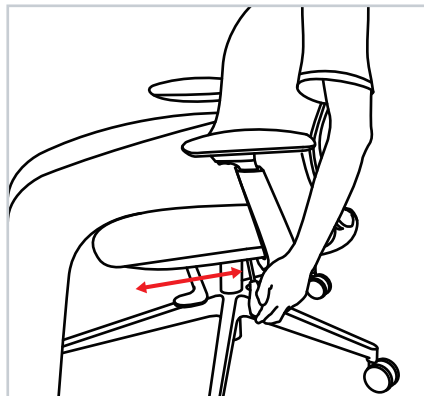
F SEAT HEIGHT ADJUSTMENT

While seated, pull the single control lever upward and hold it while raising or lowering the seat to reach your desired seat height. When the lever is released to its original position, the seat height is locked. The seat height adjustment range is 3.74".

G BACKREST TILT ANGLE ADJUSTMENT



H SEAT SLIDER ADJUSTMENT



G BACKREST TILT ANGLE ADJUSTMENT

While seated, pull the single control lever completely backward and lean against the back. When your desired angle is achieved, return the lever to the original middle position to lock your tilt angle in place. There are 4 positions that provided 20° of range.

H SEAT SLIDER ADJUSTMENT

While seated, pull the single control lever and move the seat forward to reach your desired seat position. When your desired seat position is achieved, release the lever to lock your seat position. The range of movement is 2.08".

OUR PROMISE.

They say with age comes wisdom. And while we 've learned a lot since we sold our first office chair in 1979, even then we knew that superior craftsmanship and design are essential ingredients in delivering real value for our customers. All these years later, those three simple pillars still stand behind our promise of exceptional seating with every chair we sell.

DESIGN CRAFTSMANSHIP VALUE

Eurotech. Sit Smarter.

THE EUROTECH WARRANTY

- For all products except for 24/7 chairs(see below), Eurotech warrants to the original purchaser all components for the life of the product with the exception of upholstery and foam, which will be warranted for five years.
- for 24/7 chairs, Eurotech warrants to the original purchaser of all 24/7 and Big & Tall chairs all components for 5 years with the exception of upholstery and foam which will be warranted for 2 years.
- Eurotech warrants to the original purchaser that all parts will be free from material defects. Eurotech will repair or replace, at its option, any unaltered components.
- Eurotech does not warrant any aftermarket hardware that is installed on the product.
- Eurotech's warranty is limited to the normal use of the product in a forty hour work week and a 275lb. weight limit unless otherwise noted.
- Eurotech shall Not be liable for consequential or incidental damage arising from any product defect.
- Eurotech's warranty is limited to replacement or repair and does not cover cost of transportation and labor. There are no other warranties expressed or implied other than those specifically described.
- Eurotech does not warrant customer's own material.
- Eurotech warrants to the original purchaser with proof of purchase along with a copy of the receipt.
- Arm Pads are warranted for 2 years under normal wear and tear.
- Cylinder is warranted for 5 years.

This warranty is made as of 9/15/16. Please see [http:// www.eurotechseating.com/warranty information](http://www.eurotechseating.com/warranty-information) for any updates and/or revisions to this warranty.