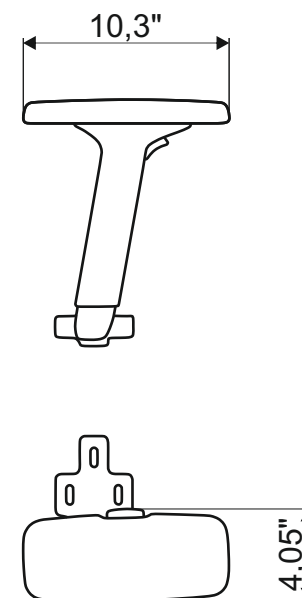
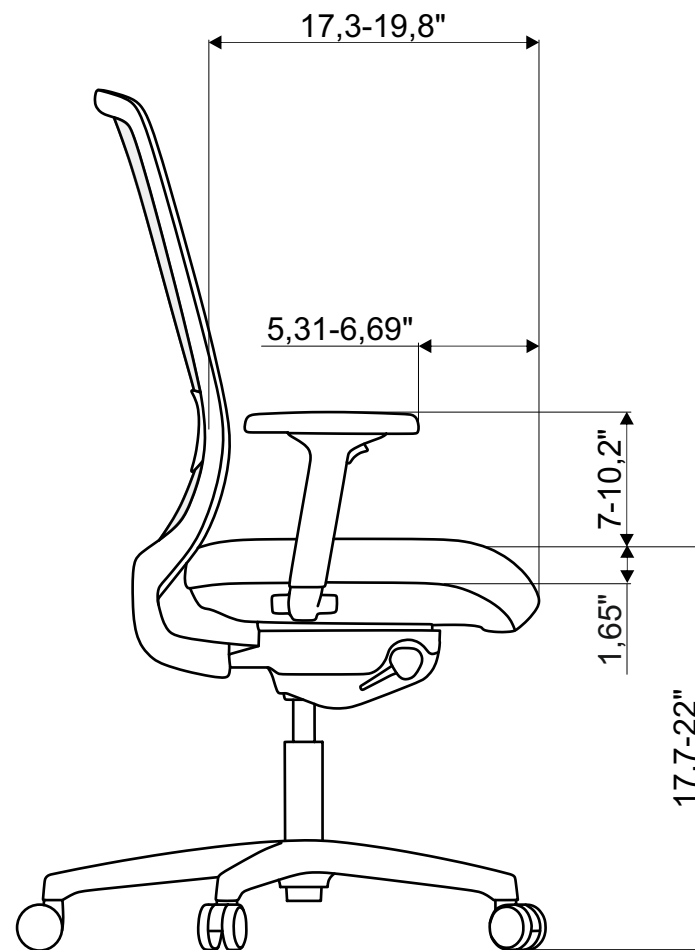
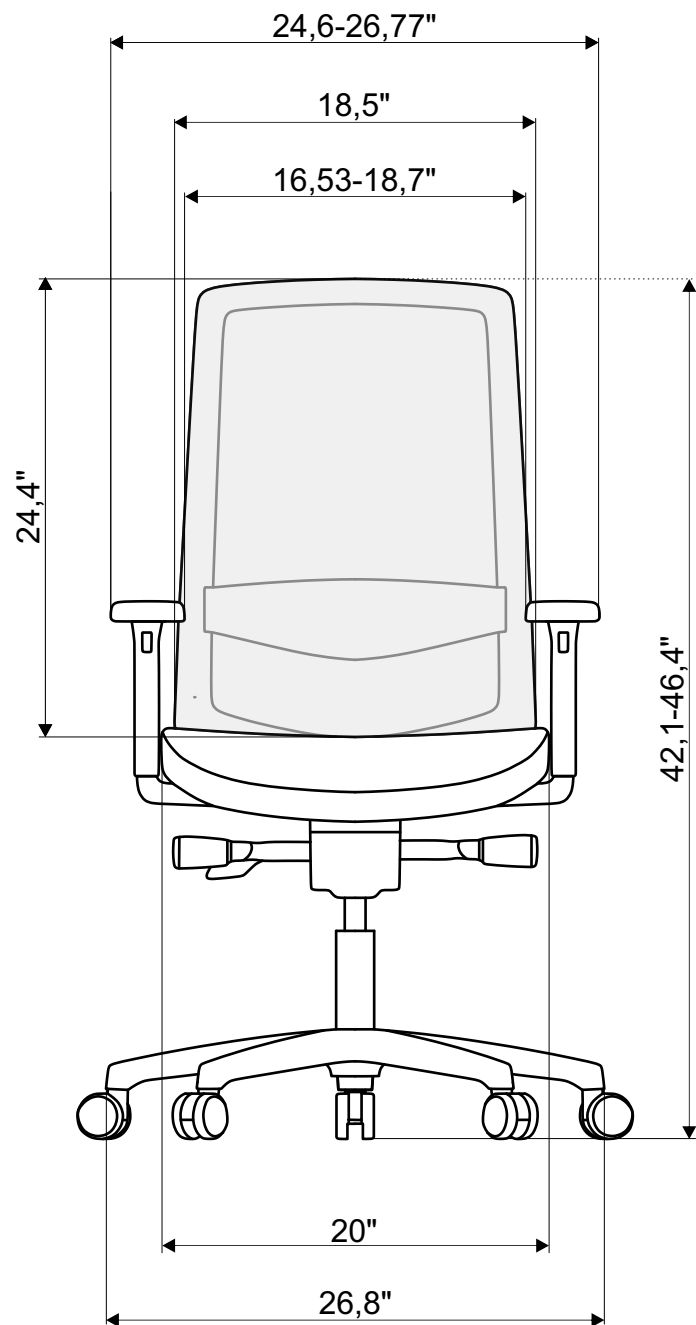


ADAPT HIGH



Dimensions with tolerances $\pm 0,2$ ".