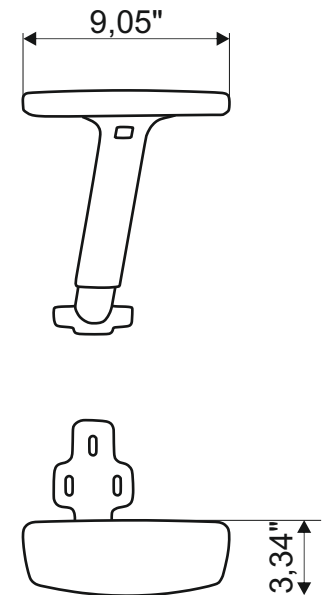
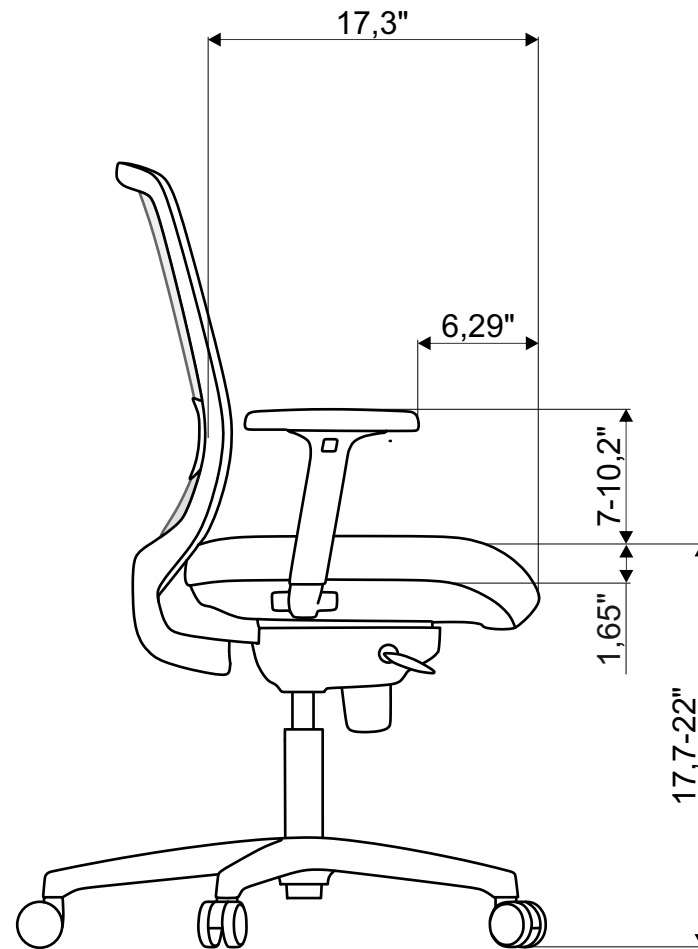
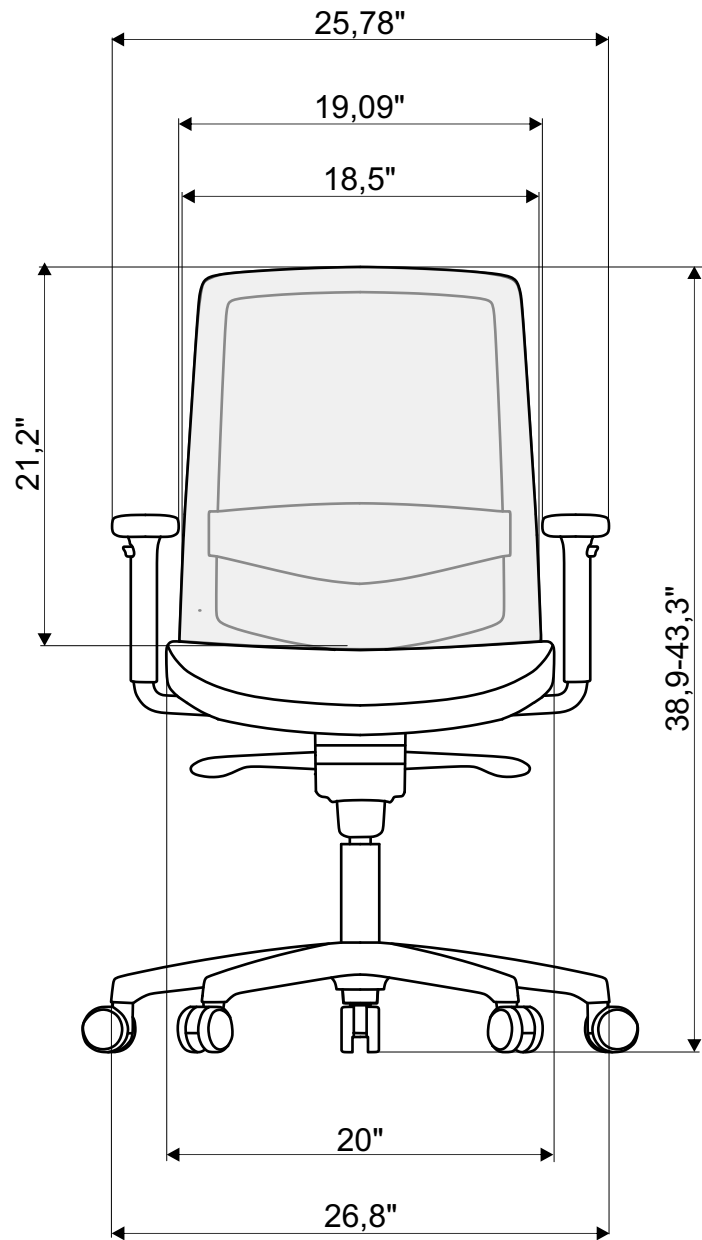


# ADAPT TASK



Dimensions with tolerances  $\pm 0,2"$ .