

**eurotech**

## **EDUSKATE**

ASSEMBLY INSTRUCTIONS  
OPERATING INSTRUCTIONS  
WARRANTY

---



---

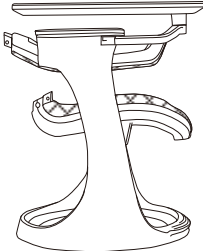
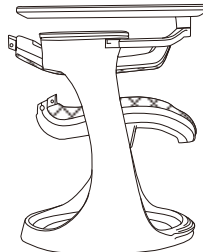
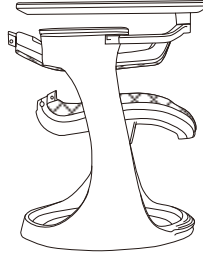
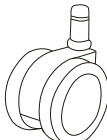

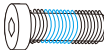



CUSTOMER SERVICE 1-800-637-0005  
[WWW.EUROTECHSEATING.COM](http://WWW.EUROTECHSEATING.COM)

# ASSEMBLY INSTRUCTIONS

## EDUSKATE

Remove all items from the carton. Verify all components before assembly.

### Part List

Key	Description	Part	Qty.	Spare
A	Base and Seat Cushion (with backrest folded down)		1	
B	Backrest (attached to seat and folded down)		1	
C	Workpad (already attached)		1	
D	Caster		6	
E	Cup Holder (Optional)		1	
F	Back Bolts (M8 X 23.5mm, Blue color)		2	1
G	Cup Holder Bolts (M5 X 13mm, Blue color)		2	1
H	Back Bolts Cover		2	
I	Allen Wrench		1	

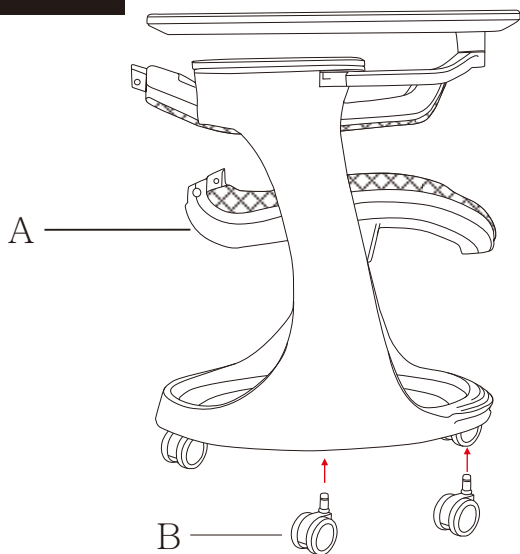
• Every six months, please make sure all bolts, screws and knobs are fully tightened to ensure stability.

# ASSEMBLY INSTRUCTIONS

## EDUSKATE

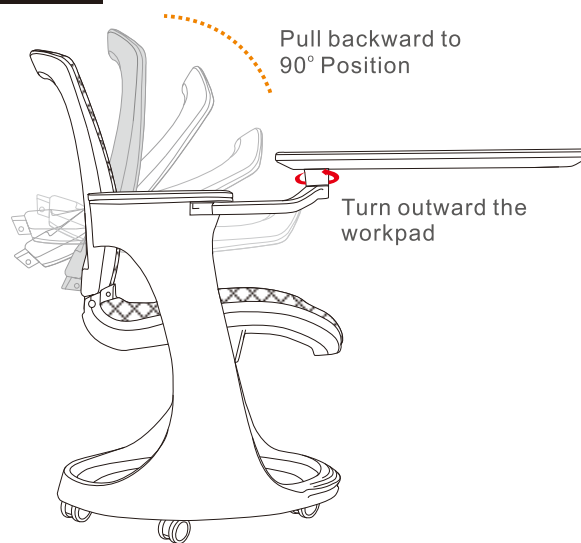
Remove all items from the carton. Verify all components before assembly.

### STEP 1



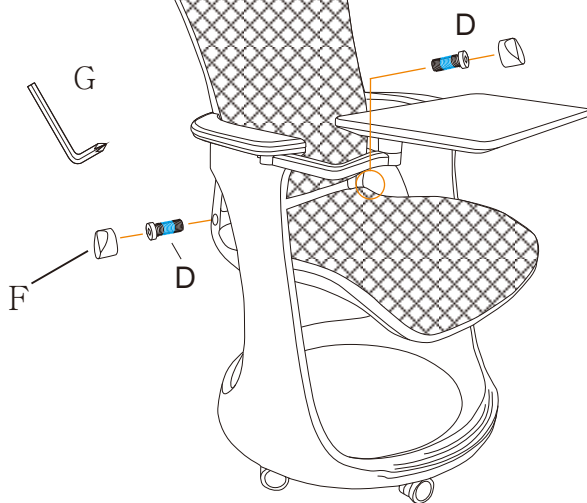
Press the Casters (D) into the holes at the bottom of the Base and Seat Cushion (A).

### STEP 2



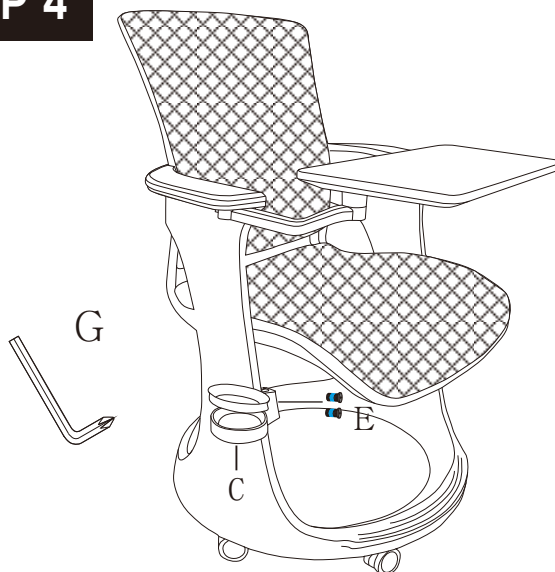
Turn the workpad (C) outward. Now pull the Backrest (B) up and back so that it is in a 90° position to the Seat Cushion (A).

### STEP 3



**Please be careful to use the Blue Back Bolts (F).**  
Insert 1 Back Bolt (F) on each side of the Backrest (B) as shown.  
Tighten the bolts securely using the enclosed Allen Wrench (I).  
Insert 1 Back Bolt Cover (H) over each Back Bolt (F).

### STEP 4



**Please be careful to use the correct Cup Holder Bolts (G).**  
Assemble the Cup Holder (E) to the storage shelf using the Cup Holder Bolts (G).  
Tighten the bolts securely using the enclosed Allen Wrench (I).

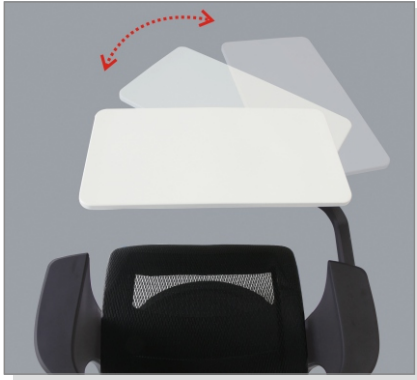
### PREVENTIVE MAINTENANCE AND WARNING!

- USE THIS PRODUCT ONLY FOR SEATING ONE PERSON AT A TIME.
- DO NOT USE THIS CHAIR AS A STEP STOOL / LADDER.
- DO NOT SIT ON ANY PART OF THE CHAIR EXCEPT THE SEAT.
- DO NOT USE CHAIR ON UNEVEN FLOOR SURFACES.
- DO NOT USE CHAIR UNLESS ALL BOLTS, SCREWS AND KNOBS ARE TIGHTENED.
- EVERY SIX MONTHS, PLEASE MAKE SURE ALL BOLTS, SCREWS AND KNOBS ARE FULLY TIGHTENED TO ENSURE STABILITY.
- IF ANY PARTS ARE MISSING, BROKEN, DAMAGED OR WORN, STOP USE OF THE PRODUCT UNTIL REPAIRS ARE MADE USING FACTORY AUTHORIZED PARTS.
- DISPOSE OF PACKAGING PROPERLY. PLASTIC BAG IS NOT A TOY. DO NOT USE PLASTIC BAG AS HEAD COVERING – IT MAY CAUSE SUFFOCATION.
- FAILURE TO FOLLOW THESE WARNINGS COULD RESULT IN SERIOUS INJURY.
- NOTE: SOME SCREWS MAY BE PREASSEMBLED. IF PREASSEMBLED, IGNORE ASSEMBLY INSTRUCTIONS.

# OPERATING INSTRUCTIONS

## EDUSKATE

### A WORKPAD ROTATING ADJUSTMENT



### A WORKPAD ROTATING ADJUSTMENT

A1. Workpad can be rotated from left to right freely.

A2. Workpad support structure can be rotated horizontally and freely.

### B LUMBAR SUPPORT HEIGHT ADJUSTMENT



### B LUMBAR SUPPORT HEIGHT ADJUSTMENT

Move the lumbar support upward or downward to fit your body.

The lumbar support adjustment range of movement is approximately 2" .

### C CUP HOLDER & STORAGE SHELF



### C CUP HOLDER AND STORAGE SHELF

C1. The spiral design cup holder will hold your cup or bottle.

C2. The base is designed to serve as a storage shelf for your belongings.

# OUR PROMISE.

They say with age comes wisdom. And while we've learned a lot since we sold our first office chair in 1979, even then we knew that superior craftsmanship and design are essential ingredients in delivering real value for our customers. All these years later, those three simple pillars still stand behind our promise of exceptional seating with every chair we sell.

DESIGN CRAFTSMANSHIP VALUE

Eurotech. Sit Smarter.

---

## EUROTECH WARRANTY

- For all products except for 24/7 chairs (see below), Eurotech warrants to the original purchaser all components for the life of the product with the exception of upholstery and foam, which will be warranted for five years.
- For 24/7 chairs, Eurotech warrants to the original purchaser of all 24/7 chairs all components for 10 years with the exception of upholstery and foam which will be warranted for 2 years.
- Eurotech warrants to the original purchaser that all parts will be free from material defects. Eurotech will repair or replace, at its option, any unaltered components.
- Eurotech does not warrant any aftermarket hardware that is installed on the product.
- Eurotech's warranty is limited to the normal use of the product in a forty hour work week and a 250lb. weight limit unless otherwise noted.
- Eurotech shall NOT be liable for consequential or incidental damage arising from any product defect.
- Eurotech's warranty is limited to replacement or repair and does not cover cost of transportation and labor. There are no other warranties expressed or implied other than those specifically described.
- Eurotech does not warrant customer's own material.

This warranty is made as of 9/15/16. Please see <http://www.eurotechseating.com/warranty-information> for any updates and/or revisions to this warranty.